

INSTALLATION MANUAL

16026

Level of Difficulty

Easy

Parts List

#	Qty	Description
1	1	Leg assembly
2	4	Nylock nut, M14 x 2, CL10.9

Tools Required

Ratchet Socket set

Torque Specifications

	Metric	SAE	
	M6 bolt		3 ft-lbs.
	M8 bolt		7 ft-lbs.
	M10 bolt		16 ft-lbs.
	M12 bolt		28 ft-lbs.
	1/4" bolt		3 ft-lbs.
	5/16" bolt		7 ft-lbs.
	3/8" bolt		16 ft-lbs.
	7/16" bolt		20 ft-lbs.
	1/2" bolt		28 ft-lbs.

Use above torque setting unless otherwise noted

⚠ WARNING

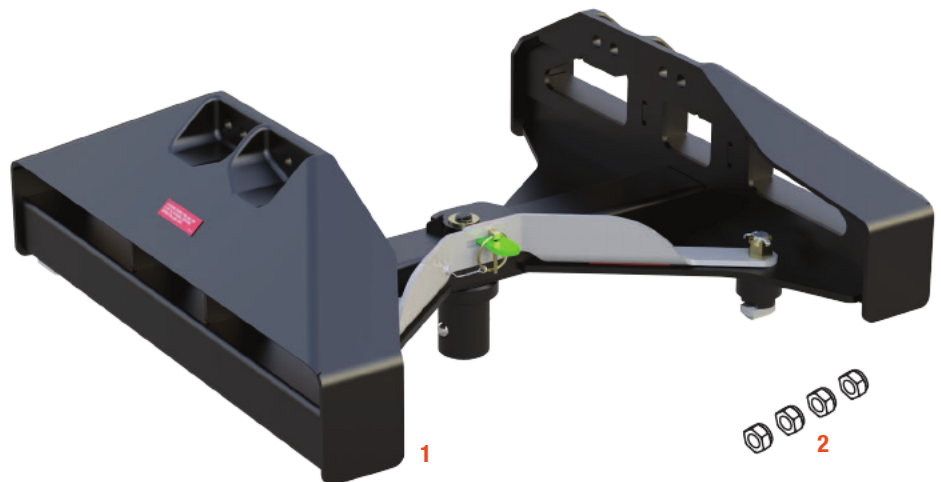
Provide this entire installation manual to the end-user. Fully instruct and demonstrate the operation of this 5th wheel hitch to the end user. Include the importance of observing all warnings contained herein, including warning labels on 5th wheel hitch mid section. Serious injury or death may result if the warnings below are not observed.

Never exceed the vehicle manufacturer's recommended towing capacity. Trailer and contents combined must not exceed tow vehicle, hitch and / or trailer tow ratings. Exceeding rated capacity may result in separation and / or may result in damage to 5th wheel hitch, towing vehicle, trailer or cause death or serious injury.

To avoid serious injury, do not expose hands, body parts or clothing between the truck and trailer or the truck's bed sides and trailer. Extreme care should be observed to avoid serious injury to self, property and observers.

Never position yourself or others under the trailer's kingpin area (danger zone) during coupling and uncoupling. Improperly coupled trailers can separate and drop without notice.

Product Photo and Hardware



Notes and Maintenance

Before you begin installation, read all instructions thoroughly.

Proper tools will improve the quality of installation and reduce the time required.

Keep the goose lock stem lubricated regularly.

Use silicone spray or equivalent to prevent wear and rust.

Refer to the table to the left when securing hardware during the installation process to help prevent damage to the product or vehicle.

Product Registration

CURT Group stands behind our products with industry leading warranties. You can help us continue to improve our product line and help us understand your needs by registering your purchase by visiting:

warranty.curtgroup.com/surveys

At CURT Group, customer is king. We value your feedback and we use that information to make improvements on our products. Please, take a minute and let us know how we are doing.

INSTALLATION

Step 1

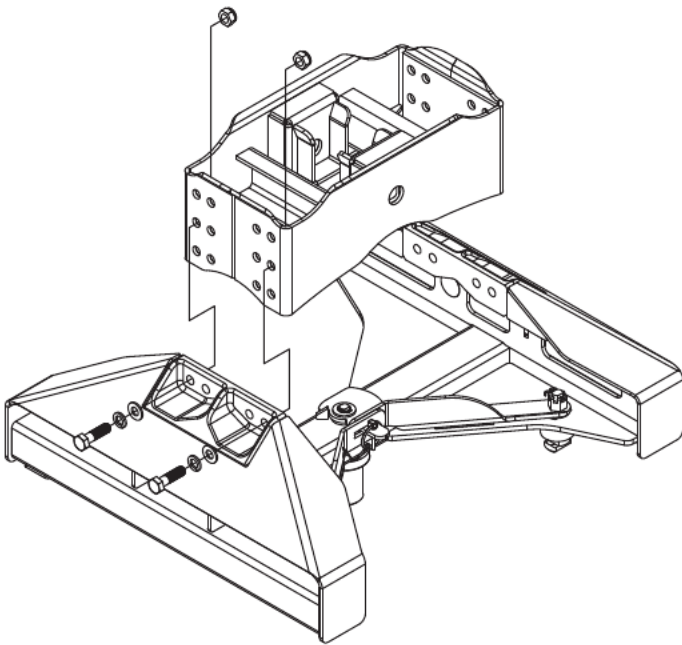
Prepare the 5th wheel head unit for installation by locating the hardware package for mounting the 5th wheel head to the puck system legs. The 16026 Nissan legs (#1) are compatible with the following CURT 5th wheel heads: 16520, 16540, 16530, 16515.

Step 2

Select a set of mounting holes that will allow sufficient clearance between the 5th wheel trailer and the sides of the tow vehicle.

Begin assembling the legs (#1) to the 5th wheel hitch head by inserting the fasteners provided with 5th wheel head unit through the selected mounting holes and loosely secure them to the leg assemblies. Torque all four M14 bolts to 100 ft-lbs. Re-install the 5th wheel head if it was removed to ease installation.

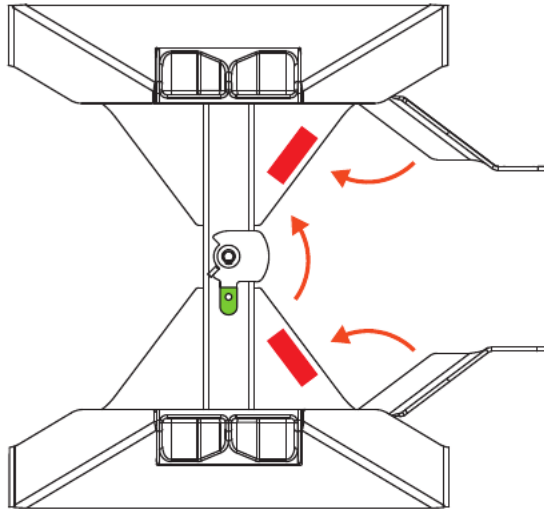
Note: Position the leg assembly with the operating instruction label on the driver side of the tow vehicle.



Step 3

Remove the lynch pin securing the locking handle to the legs. Swing all three handles completely open and lower the legs into position in the bed of the truck. Ensure both locking bolts, spacers and the gooseneck locking stem drop into the mounting holes before attempting to close the handles. See 'Step 3 - Continued' diagram.

Step 3 - Continued



Step 4

With the legs secured and positioned in truck bed mounts, rotate the handles back to the closed position. Secure the handles by re-inserting the lynch pin.

Note: Slight resistance should be felt as the handles are rotated closed. If the handle will not close with moderate pressure, you must adjust the locking T-bolt; see 'T-bolt Adjustment'.

WARNING: Forcing the handle closed may damage the locking bolt and handle, possibly resulting in trailer detachment.

Confirm both locking bolts are engaged in the truck bed mounts and the castle nuts are secured with the cotter pins. Double check to ensure both handles are securely locked with the lynch pin.

T-Bolt Adjustment

Step 1 - The locking T-bolts are pre-installed to ease installation of the 16026. Due to possible variation in the trucks mounting locations, some adjustments may be required. If one or more of the locking handles will not close, begin adjustment by removing the cotter pin securing the castle nut above the handle. See figure below.

Step 2 - Loosen castle nut a 1/4-turn while pressing down on T-bolt.

Step 3 - Reattempt to close the locking handle. If the handle closes, re-secure the castle nut with the removed cotter pin from step 1. If the handle does not close, repeat step 2.

