

INSTALLATION MANUAL

16050

Level of Difficulty

Easy

Installation difficulty levels are based on time and effort involved and may vary depending on the installer level of expertise, condition of the vehicle and proper tools and equipment.

Weight Carrying Capacity

Gross trailer weight (GTW)	30,000 lbs.
Tongue weight (TW)	7,500 lbs.

Parts List

Item	Qty	Description
1	1	Roller mount, rear assembly
2	1	Roller mount, front assembly
3	2	Base plate
4	8	Carriage bolt, M12
5	8	Serrated flange nut, M12

Tools Required

Ratchet	Socket set
Torque wrench	Hex drive, M10

⚠ WARNING

Never exceed the vehicle manufacturer's recommended towing capacity.

Product Photo



NOTICE

Visit www.curtmfg.com for a full-color copy of this instruction manual, as well as helpful videos, guides and much more!

Before you begin installation, read all instructions thoroughly.

Proper tools will improve the quality of installation and reduce the time required.

Periodic inspection of your product should be performed to ensure all hardware and / or components remain secure.

To help prevent damage to the product or vehicle, refer to the specified torque specifications when securing hardware during the installation process.

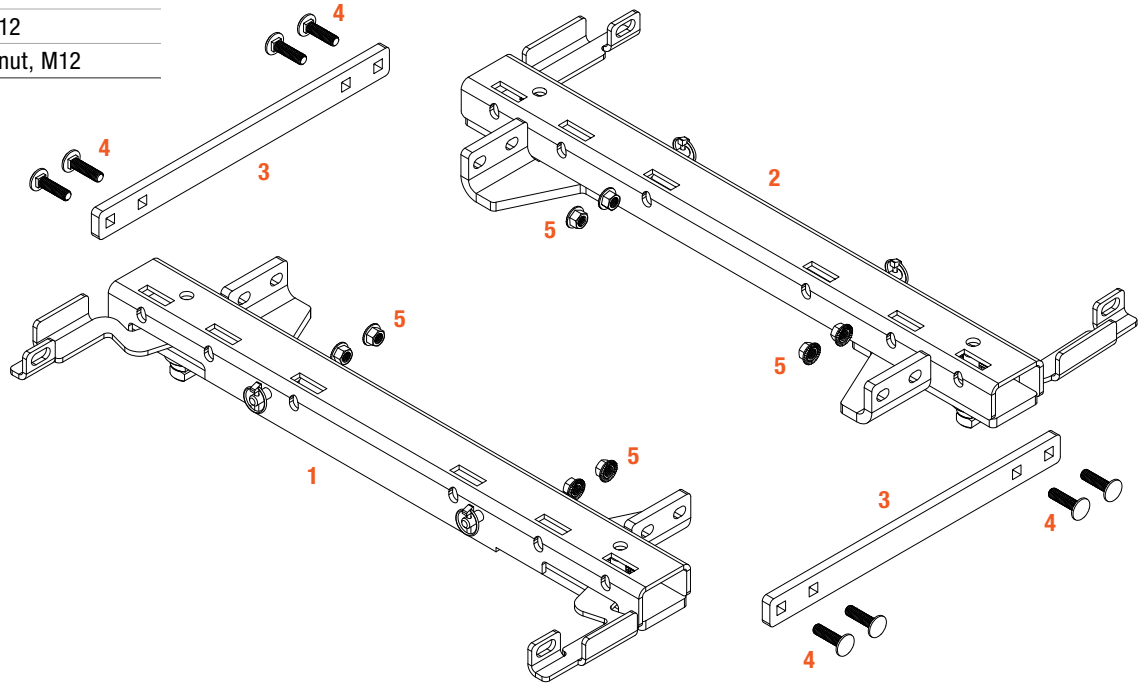
Product Registration and Warranty

CURT stands behind our products with industry-leading warranties. To get copies of the product warranties, register your purchase or provide feedback, visit: warranty.curtgroup.com/surveys

ASSEMBLY

Parts List

Item	Qty	Description
1	1	Roller mount, rear assembly
2	1	Roller mount, front assembly
3	2	Base plate
4	8	Carriage bolt, M12
5	8	Serrated flange nut, M12



Step 1

Remove the puck caps from bed of truck if present. Remove the lynch pins securing the locking handles and swing open all four handles of the roller mount assemblies to prepare for installation.

Step 2

Mount each roller mount assembly into the pucks in the bed of the truck.

Face the handles towards the **front and rear** of the bed.

Align the mounting holes on the base plates (#3) with the slots in the roller mount assemblies (#1 and #2). Secure the base plates to the roller mount assemblies using eight M12 carriage bolts (#4) and M12 flange nuts (#5). Torque all M12 hardware to 65 ft-lbs.

Step 3

With the legs secured and positioned in the truck bed puck mounts, rotate the handles back to the closed position. Secure the handles by inserting the provided lynch pins.

Note: Slight resistance should be felt as the handles are rotated closed. If the handles will not close with moderate pressure, you must adjust the locking T-bolt; see 'T-bolt Adjustment'.

WARNING

Forcing the handle closed may damage the locking bolt and handle, possibly resulting in trailer detachment.

Confirm both locking bolts are engaged in the truck bed puck mounts and the barrel nuts are secured with the cotter pins. Ensure all handles are securely locked with the lynch pin.

T-Bolt Adjustment

The locking T-bolts are pre-installed to ease installation. Due to possible variation in the truck's mounting locations, some adjustments may be required. If one or more of the locking handles will not close, begin adjustment by removing the cotter pin securing the barrel nut above the handle.

Next, loosen the barrel nut 1/4-turn while pressing down on the T-bolt. Reattempt to close the locking handle. If the handle closes, re-secure the barrel nut with the removed cotter pin. If the handle does not close, loosen the barrel nut 1/4-turn while pressing down on the T-bolt and reattempt to close the locking handle.