



CURT[™]

The **FIRST** Name
in Towing Products[™]

BENT PLATE GOOSENECK

INSTRUCTION MANUAL



Installer: Read and understand this manual. Fully instruct and demonstrate the operation of this gooseneck hitch to the end user. Include the importance of observing all warnings. Provide this manual in its entirety to the end-user.

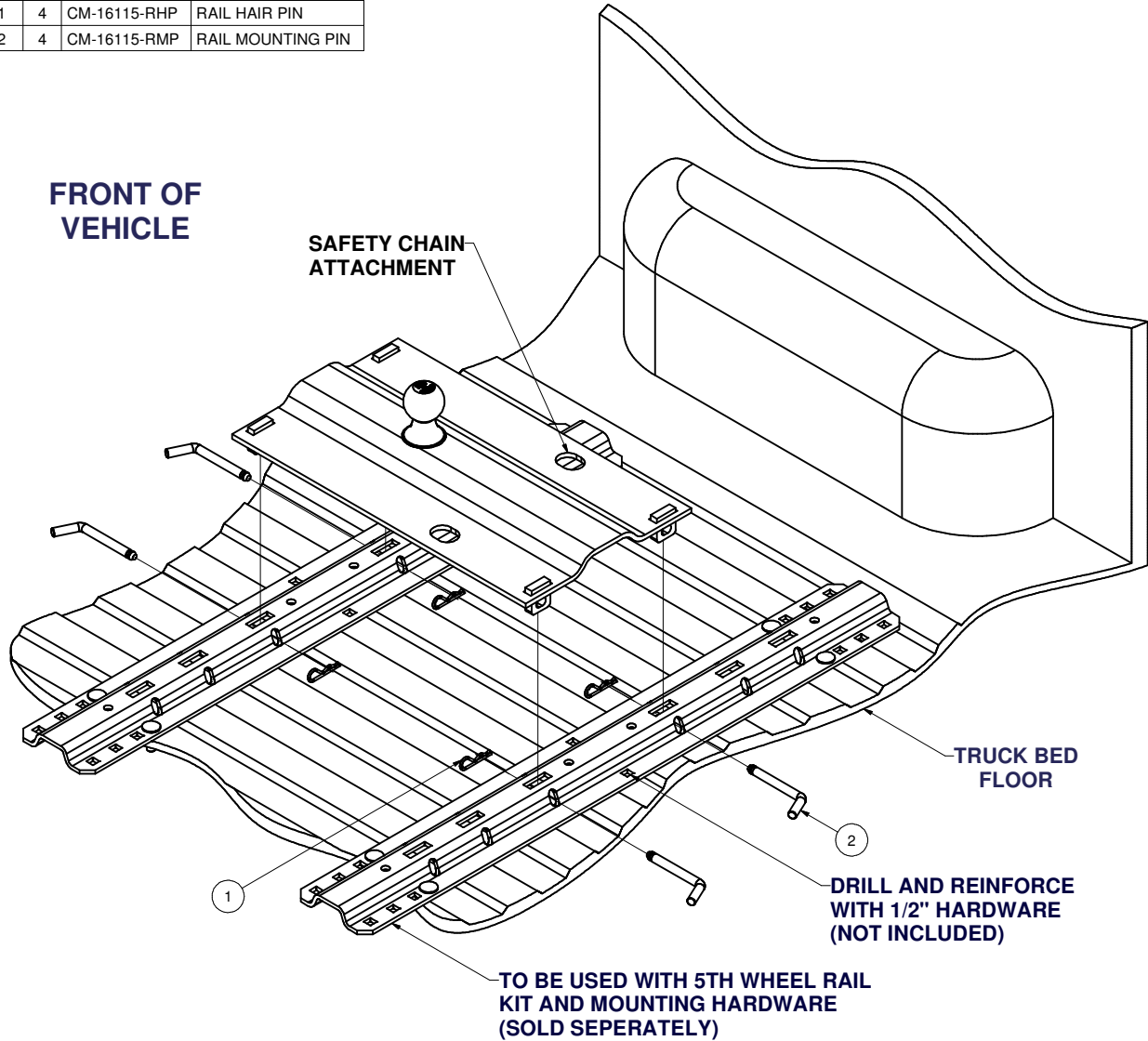
16055

GOOSENECK HITCH (RAIL MOUNT)

2/23/2011

GROSS LOAD CAPACITY WHEN USED AS A WEIGHT CARRYING HITCH: 25,000 LBS. TRAILER WEIGHT & 6,250 LBS. TONGUE WEIGHT.
*****DO NOT EXCEED VEHICLE MANUFACTURER'S RECOMMENDED TOWING CAPACITY.*****

Parts List			
ITEM	QTY	PART NUMBER	DESCRIPTION
1	4	CM-16115-RHP	RAIL HAIR PIN
2	4	CM-16115-RMP	RAIL MOUNTING PIN



INSTALLATION STEPS

- 1) Note: Before installing the 16055 gooseneck hitch, it is recommended that the mounting rails be reinforced through the center hole in the rails using 1/2" hardware.
- 2) Place hitch into mounting rails and insert pins. Secure pins by installing rail hairpins as shown.
- 3) Attach safety chains using the slots in the gooseneck plate.

PERIODICALLY CHECK THIS RECEIVER HITCH TO INSURE THAT ALL FASTENERS ARE TIGHT AND THAT ALL STRUCTURAL COMPONENTS ARE SOUND.

Curt Manufacturing LLC., warrants this product to be free of defects in material and/or workmanship at the time of retail purchase by the original purchaser. If the product is found to be defective, Curt Manufacturing LLC., may repair or replace the product, at their option, when the product is returned, prepaid, with proof of purchase. Alteration to, misuse of, or improper installation of this product voids the warranty. Curt Manufacturing LLC.'s liability is limited to repair or replacement of products found to be defective, and specifically excludes liability for incidental or consequential loss or damage.