



INSTALLATION INSTRUCTIONS

WARNING: NEVER EXCEED YOUR VEHICLE MANUFACTURER'S RECOMMENDED TOWING CAPACITY

E16 5TH WHEEL HITCH



TABLE OF CONTENTS

Page#	Description
1	Warnings & Precautions
2	Assembly & Installation
3 - 5	Coupling & Locking
5	Uncoupling & Resetting
6 - 7	Removal & Reinstallation
7 - 8	Maintenance Requirements
8	Warranty

DANGER ZONE PRECAUTIONS

Block all trailer tires in front and behind with appropriate wheel chocks. Do not substitute objects such as, but not limited to: stones, wood blocks, etc.

Front trailer lifting jacks must be supporting the trailer and resting on a firm and level surface.

Towing vehicle must be stationary with automatic transmission in park, emergency brake applied and engine off. If equipped with a manual transmission place in neutral, apply emergency brake and shut off the engine.

WARNINGS

Read and understand instructions before using this product. Fully instruct and demonstrate the operation of this 5th wheel hitch to the end user. Include the importance of observing all warnings contained herein, including warning labels on 5th wheel hitch mid section. Provide this manual in its entirety to the end-user. Serious injury or death may result if the warnings above are not observed.

To avoid serious injury, do not expose hands, body parts or clothing between the truck and trailer or the truck's bed sides and trailer. Extreme care should be observed to avoid serious injury to self, property and observers.

Never exceed the rated towing capacity of your vehicle. Trailer and contents combined must not exceed tow vehicle, hitch and/or trailer tow ratings. Exceeding rated capacity may result in separation. Exceeding rated capacity may result in damage to 5th wheel hitch, towing vehicle, trailer and or cause serious injury or death.

Never position yourself or others under the trailer's kingpin area (danger zone) during coupling and uncoupling. If for any reason you must position any part of your body under the trailer, between the truck and the trailer or between the trailer's kingpin and 5th wheel hitch you must follow the steps in the 'Danger Zone Precautions' section to the left. Improperly coupled trailers can separate and drop without notice.

ASSEMBLY & INSTALLATION

UNPACKING THE 5TH WHEEL

Your E16 5th wheel hitch has been partially assembled, inspected and tested for fit, function and completeness. The E16 5th wheel hitch is an engineered unit that has been designed and tested at the rating of 16,000 lbs. GTW.

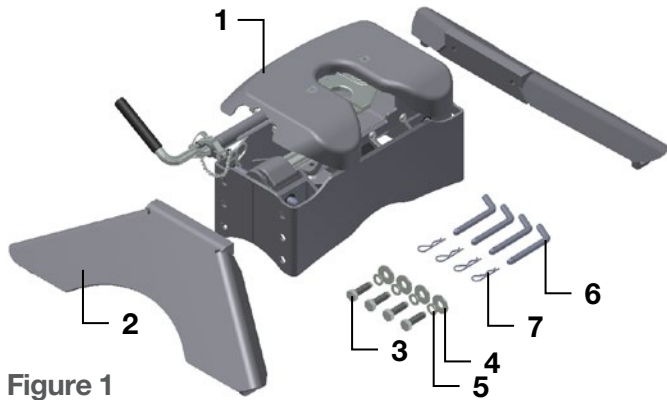


Figure 1

Be sure that the leg with the warning and instruction labels is placed on the side of the unit with the activation bar.

PARTS LIST

Item#	Qty	Description
1	1	E16 5th wheel head assembled to mid-section
2	2	Legs
3	4	Pilot hex bolts, M14 - 2 x 45mm
4	4	Flat washers, 14mm
5	4	Lock washers, 14mm
6	4	Base rail mounting pins, 1/2" diameter
7	4	Hair pin clips for base rail mounting pins

CALCULATING THE HEIGHT OF THE ASSEMBLY

Assembly includes measuring the height requirement for the E16 5th wheel head in relation to your trailer ride height at the kingpin box and skid plate. Ideally the trailer should ride as near to level as possible. The E16 5th wheel is adjustable from 13" to 17", from the pickup bed to the top of its skid plate. Adjustment is attained by adjusting the mid-section up or down, in relation to the legs, in 2" increments (typical clearance between the pickup bed rails and the trailer should be a minimum of 5 1/2").

Step 1

With your trailer on a firm and level surface, set chock blocks in front of and behind the tires. (Do not substitute wood blocks, rocks, etc. for chock blocks.) Extend front trailer lifting jacks, adjust as required to set trailer at or near level.

Step 2

Measure from the ground to under the trailer's kingpin box skid plate (or lube plate if used). This will be the portion in contact with the E16 5th wheel's skid plate once coupled.

Step 3

Measure from the ground to the surface of the pickup bed.

Step 4

Subtract the measurement from Step 2 from Step 1. This value will be near the height requirement for the E16 5th wheel.

ASSEMBLY

Once you have determined the height adjustment required for your E16 5th wheel, assemble the legs to the mid-section using the appropriate holes. Occasionally, the trailer's kingpin 'pin box' will require adjustment to facilitate correct ride height.

IMPORTANT: Torque the four pilot bolts to 100 foot lbs. Re-torque after initial 500 miles and every 1,000 miles thereafter and prior to each individual use.

Step 1

Depending on which holes are selected, attachment of the legs to the mid-section may be easier with the mid-section upside-down sitting on its skid plate.

Step 2

The head assembly can be removed from the mid-section to further aid in the installation of the pilot bolts.

Step 3

If the E16 5th wheel is being mounted to existing bed mounting rails, and alignment issues arise, it may be necessary to proceed as follows:

Loosely assemble the legs to the E16 5th wheel mid-section. Place the unit on top of the existing bed mounting rails, aligning the foot tabs with the outermost rectangular slots of the mounting rails. When the 5th wheel foot tabs drop into the four rectangular slots, pin the foot tabs using the four pins & clips provided. Continue assembly by tightening the pilot hex bolts to 100 foot lbs.

If difficulty is still experienced fitting the E16 5th wheel to the existing bed mounting rails, it may be necessary to loosen the mounting rail bolts and realign the mounting rails as required to facilitate installation. It is recommended to replace old lock washers with new lock washers at this time. Torque mounting rail bolts to 75 foot lbs. Continue with the E16 installation by tightening the pilot bolts to 100 foot lbs.

If using new bed mounting rails, follow the mounting rail's instructions for proper placement, alignment and spacing.

COUPLING & LOCKING

CAB VIEW

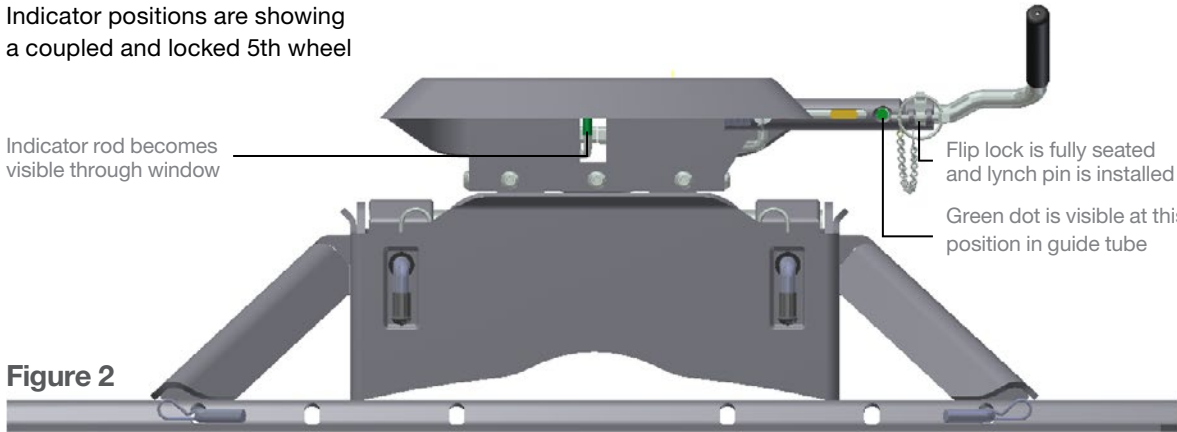
Indicator positions are showing a coupled and locked 5th wheel

Indicator rod becomes visible through window

Flip lock is fully seated and lynch pin is installed

Green dot is visible at this position in guide tube

Figure 2



PREPARING THE VEHICLE AND TRAILER TO COUPLE

It is advised to perform trailer connections to the 5th wheel on a firm and level surface.

Multiple wheel chocks should be used in front of and behind trailer tires. Do not substitute objects such as, but not limited to: stones, wood blocks, etc.

Lower or remove truck tailgate as required.

Position the towing vehicle with the 5th wheel centered and in line with trailer or coach kingpin. Do not engage the kingpin into 5th wheel at this time.

Set automatic transmissions to park and activate the emergency brake. Set manual transmissions to neutral and activate the emergency brake.

The rear stabilizer jacks must be retracted. Adjust the front trailer lifting jacks so the trailer's kingpin skid plate is approximately 1/2" below the top surface of 5th wheel skid plate. Hooking up in this manner helps ensure proper engagement of the trailer kingpin to most 5th wheel systems. Never lower the trailer's kingpin into the 5th wheel hitch head.

PREPARING THE 5TH WHEEL TO COUPLE

Refer to Figure 2, above and Figure 3, below for this step.

Note that green dot is visible (cab side) through lock bar guide tube and indicator rod is visible through window.

Flip safety lynch pin bail and remove lynch pin.

Lift flip lock, rotate clockwise and let hang.

Pull lock bar to full extension (approximately 3 1/2") until jaws activate and open, then release lock bar.

Visually check that jaws are open and ready to receive trailer kingpin.

Note that green dot and indicator rod have moved. This signifies that 5th wheel jaws are not in their closed and locked position. The yellow dot should now be visible. Yellow signifies the 5th wheel is ready for coupling.

If the 5th wheel is in any configuration other than that described in the first step, follow the preparation troubleshooting guide on the following page.

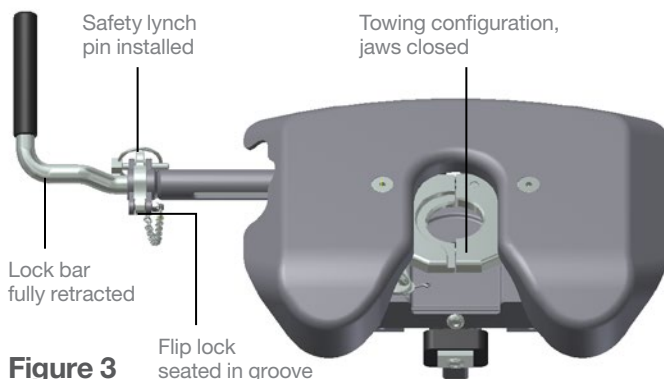


Figure 3

PREPARATION TROUBLESHOOTING

Red dot - Do not tow

WARNING: Do not tow in this configuration. The jaws will close, but will not lock. Follow the steps below to prepare for coupling. Jaws are open, but the lock bar is at extended position and being held by flip lock. Red dot is visible (cab side) through lock bar guide tube.

The red dot signifies that the jaws are open and the lock bar is in its extended position. The jaws will close, but will not lock, in this configuration.

Lightly pull the lock bar and release the flip lock from its groove.

Release the lock bar. The lock bar will retract partially inward.

Visually check that the jaws are open and ready to receive the trailer's kingpin. The yellow dot should be visible from cab.

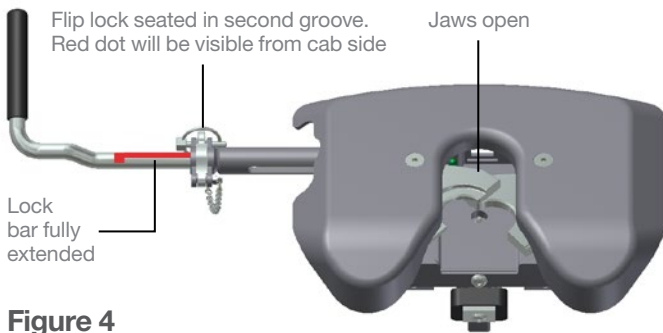


Figure 4

Out of sync jaws - Do not couple

WARNING: Do not couple. The jaws are semi-open and interlocked/interlaced with each other. The lock bar is somewhere in between full, retracted position and full, extended position. This configuration means that the movable jaw has become out of time with the second fixed jaw.

Inspect that the flip lock is hanging free in its clockwise, rotated position.

Pull the lock bar to its full, extended position and release. The jaws will re-time themselves.

Visually check that jaws are open and ready to receive trailer's kingpin (yellow dot).

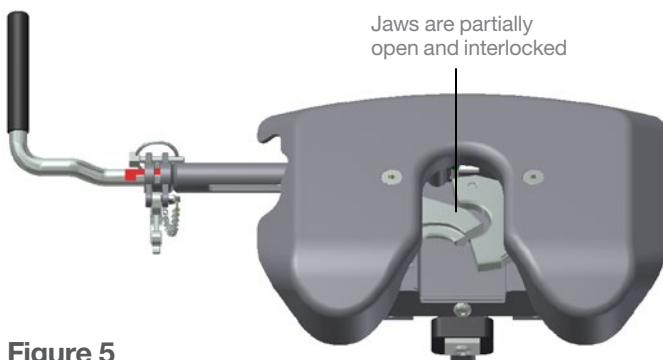


Figure 5

COUPLING

If you are using a lube plate on the trailer's kingpin, you are ready to couple the trailer to the 5th wheel. Up to two 3/16" thickness lube plates may be used. If you are not using a lube plate, apply a high-pressure wheel bearing grease to the 5th wheel skid plate.

Never position yourself or others under the trailer's kingpin area (danger zone) during coupling and uncoupling. If for any reason, you must position any part of your body under the trailer or between the truck and trailer or between the trailer kingpin and 5th wheel hitch you must follow the steps in the 'Danger Zone Precautions' on page 1.

Back-up the towing vehicle while remaining centered and aligned to trailer's kingpin. The trailer's kingpin skid plate will compress the towing vehicle's suspension and ramp up onto the 5th wheel skid plate. Refer to 'Cab View' on page 3 for the indicator's location and to observe the following:

- Lock bar will fully retract into 5th wheel head
- Green dot will become visible (viewing from cab)
- Green indicator rod is visible in window (viewing from cab)

Visually confirm that no space exists between the trailer's kingpin skid plate and the 5th wheel skid plate or between lube plate and 5th wheel skid plate. If a gap is present, then kingpin is not engaged into jaws.

Determine if kingpin is resting on top of jaws and provide corrective action.

Inspect for damage to 5th wheel unit. Under no circumstances should 5th wheel unit be used if damage exists due to improper coupling.

If no damage exists, review coupling instructions and repeat procedure.

PULL TEST

After coupling and prior to removing trailer wheel blocks and or raising front trailer jacks, you must do the following:

Set towing vehicle in a forward gear and lightly tug on the trailer to ensure that a 100% coupling has taken place. If resistance is felt, release forward pressure, set vehicle to park (if equipped with an automatic transmission) and activate the emergency brake. Place in neutral if equipped with a standard transmission and activate emergency brake.

If resistance is not felt, trailer may not be coupled correctly. Do not continue applying forward pressure, immediately stop and back towing vehicle into original position. Do not allow the truck and trailer to separate. Separation can cause damage to the towing vehicle, 5th wheel hitch and/or trailer. Serious injury or death may result if all warnings are not observed.

Review coupling instructions, apply corrective action and repeat coupling steps.

PREPARING TO TOW

Rotate flip lock counter-clockwise and seat in groove.

Insert safety lynch pin and flip bail to secure.

Attach electrical harnesses.

Attach lanyard and insert electric brake break-away plunger. If hydraulic surge brakes are present, attach lanyard from the surge brake assembly as required.

Fully retract front trailer lifting jacks.

Close truck tailgate or reinstall tailgate as required.

Remove tire chock blocks.

Check running lights, directional signals and brake lights for proper operation.

Pull forward a few feet and apply brakes to check that trailer brakes are activating. Adjust the electric brake controller if necessary.

UNCOUPLING & RESETTING

When parking it may be necessary to unload the forces on the kingpin by lightly backing against the kingpin. This maneuver helps put the kingpin and 5th wheel in a neutral position. Once parked on a firm and level surface, set automatic transmission vehicles to park and activate emergency brake, set standard transmission vehicles to neutral and activate emergency brake.

Multiple wheel chocks should be used in front of and behind trailer tires. Do not substitute objects such as, but not limited to: stones, wood blocks, etc.

Disconnect as required all harnesses, lanyards, safety devices, etc.

Do not extend rear trailer stabilizer jacks at this time.

Lower or remove truck tailgate as required.

Begin extending front trailer lifting jacks. Extend lifting jacks just enough to remove the weight of the trailer from the 5th wheel skid plate. Creating a gap between the trailer skid plate and the 5th wheel skid plate is not necessary and is not recommended. If a gap is present, it should be minimal and no more than 1/16". Excessive gap while coupled can damage internal components of the 5th wheel hitch as well as components of your trailer.

Flip safety lynch pin bail and remove lynch pin.

Lift flip lock and pull lock bar outward approximately 1/2". While holding lock bar in this position, drop flip lock back onto the lock bar. Pull lock bar to its full extension. Flip lock will drop and engage second groove. Release lock bar. Lock bar

should remain in full extended position. **NOTE:** The red dot is visible (cab side) through lock bar guide tube. This signifies that the jaws are not locked and are prepared to be uncoupled.

Reinsert safety lynch pin and flip bail to secure.

Slowly pull vehicle out from underneath trailer skid plate. Observe that trailer is uncoupling. If resistance is encountered, determine corrective action and repeat uncoupling steps.

Once uncoupled from trailer, you may elect to reset 5th wheel for future coupling at this time. To reset for future coupling, simply remove the safety lynch pin and lift the flip lock from its groove. This will allow the lock bar to partially retract into its coupling position.

IMPORTANT: Failure to reset lock bar in this manner prior to next coupling will not allow the jaws to lock around the trailer's kingpin. See Figure 6 below.

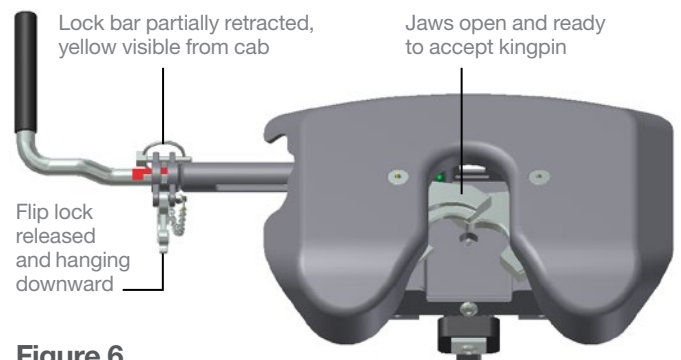


Figure 6

REMOVAL & REINSTALLATION

For your convenience, the E16 5th wheel hitch may be disassembled to ease removal. This section will discuss the three different ways the E16 5th wheel can be removed.

REMOVAL - OPTION 1

We do not recommend separating the entire 5th wheel hitch from the base rails. Follow the four steps below and refer to Figure 7 for assistance.

1. Remove the four clips and mounting rail pins.
2. Remove the 5th wheel unit from the mounting rails.

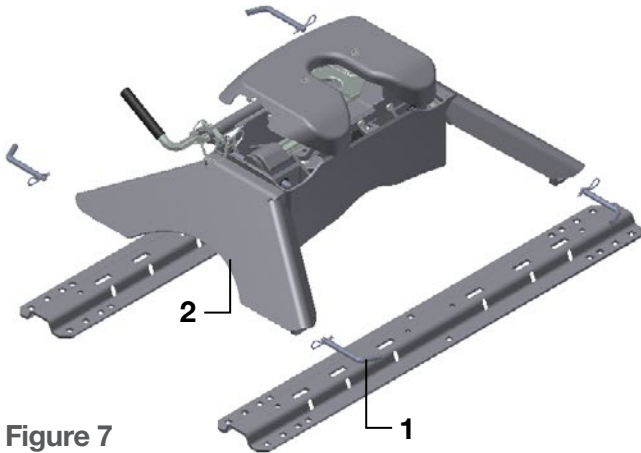


Figure 7

REMOVAL - OPTION 2

We recommend that the head be separated from the mid-section and mid-section and sides be removed as one unit.

NOTE: It is helpful to reinstall the caps, pins & clips. Follow the four steps below and refer to Figure 8 for assistance.

1. Remove clips, pins and caps.
2. Lift and remove head with bearing shaft.
3. Remove the clips and mounting rail pins.
4. Lift and remove rail pins, mid-section and sides as one unit.

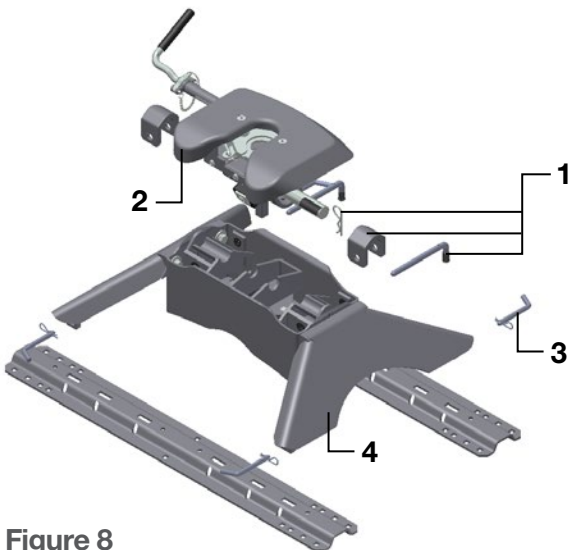


Figure 8

REMOVAL - OPTION 3

Separate the head and legs from the mid-section. Follow the four steps below and refer to Figure 9 for assistance.

1. Remove clips, pins and caps.
2. Lift and remove head with bearing shaft.
3. Remove the four pilot hex bolts, lock washers and flat washers. Separate the sides from mid-section.
4. Remove the four clips and mounting rail pins. Remove the sides from the mounting rails.

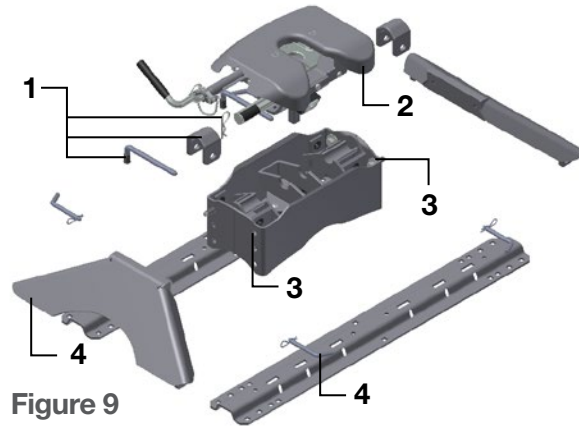


Figure 9

REINSTALLATION

Reinstall the E16 5th wheel in the reverse order it was removed. If removal method was per Option 2, please follow the steps below:

Place the mid-section, still securely bolted to the legs, into the mounting rails.

Insert the four mounting rail pins & clips.

Re-torque four pilot hex bolts to 100 foot lbs.

IMPORTANT: When installing the 5th wheel head into the mid-section, the long end of the bearing shaft is inserted into the lower bearing assembly. The machined bearing retainer must be against the lower bearing assembly. The removable bearing retainer must be against the other side of the lower bearing assembly. The O-ring retainer stop is placed in its groove lastly.

Apply a light film of lubricant to the lower pilot. Guide lower pilot into mid-section while holding bearing shaft and its retainers against lower bearing assembly. Continue to guide lower pilot through the lower square pad until the bearing shaft is fully seated in its saddles. Place shaft caps over the bearing shaft. Install the two long pins & clips. See Figures 10 through 12 on the following page.

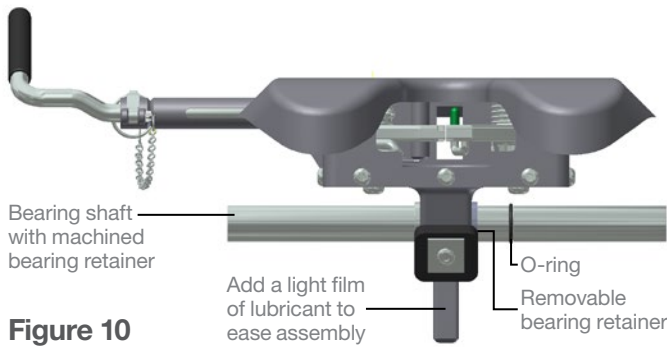


Figure 10

Ensure that the machined bearing retainer and the removable bearing retainer are against lower bearing assembly. Both sit inboard of mid-section bearing shaft cradles during assembly.

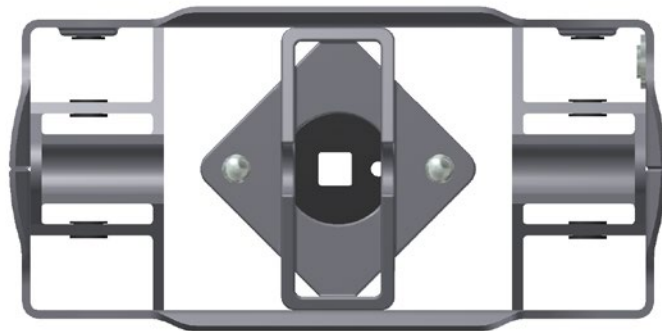


Figure 11

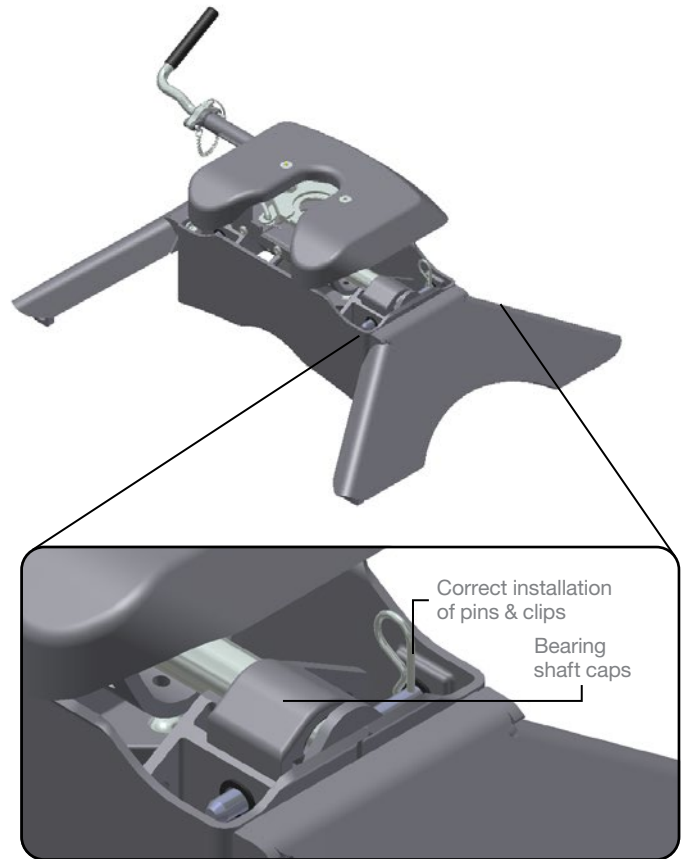


Figure 12

MAINTENANCE REQUIREMENTS

MAINTENANCE SCHEDULE

IMPORTANT: Torque the four pilot bolts to 100 foot lbs. Re-torque after initial 500 miles and every 1,000 miles thereafter and prior to each individual use.

Lubricate before each individual use and every 1,000 miles thereafter. Black graphite grease is recommended for the jaw,

pins and the lower bearing assembly jaw. High-pressure wheel bearing grease is preferred for the skid plate. **NOTE:** In severe cold temperatures a lighter grease, such as white lithium, may be substituted for the jaw pins and the lower bearing assembly jaw. This will ensure that all mechanisms work as designed.

JAW PIN GREASE FITTINGS

Each jaw pin is supplied with grease through a grease fitting located in each jaw. These grease fittings are visible from each side of the E16 5th wheel.

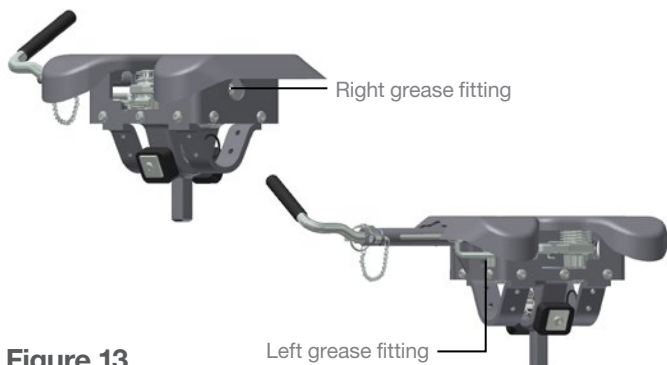


Figure 13

LOWER BEARING GREASE FITTING

The lower bearing assembly is supplied with grease through the grease fitting centered in the cast base plate. This grease fitting is visible while looking down through the jaws in their locked position.

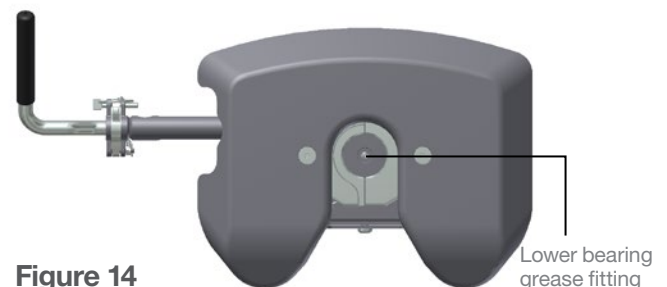
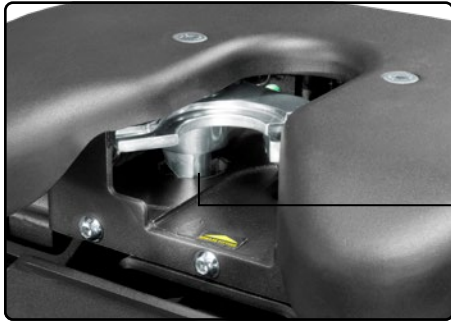


Figure 14

SPIRAL CAM GREASING

The spiral cam seated in the cast base plate requires the application of grease into its pocket. To access, the jaws must be open. Place the lock bar in its fully extended position and retain by seating the flip lock in its uncoupling position. Insert the safety lynch pin. Using a suitable probe, apply grease to the pocket under the spiral cam. When complete, remove the safety lynch pin, rotate the flip lock from its seat and allow the lock bar to retract inward into the coupling position.



Lubricate spiral cam pocket under movable jaw

Figure 15

SKID PLATE GREASING

The last lubrication point is the E16's skid plate. Liberally apply grease to the skid plate's surface if not using a lube plate. A high-pressure wheel bearing grease is preferred. Apply as required between coupling and uncoupling the trailer from the E16 5th wheel.

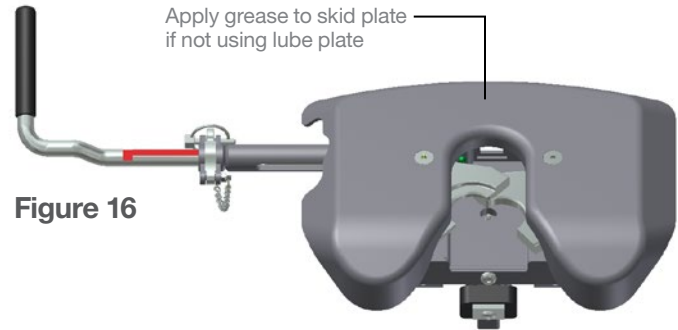


Figure 16

CURT WARRANTY

FIVE YEARS LIMITED

CURT Manufacturing, LLC (CURT) warrants to the original purchaser (Purchaser), its products to be free from defect under normal use and service, ordinary wear and tear excepted, for the warranty period stated below, from the date of the original retail purchase, but subject to the limitations as set forth below.

LIMITATION ON WARRANTY

CURT's obligation under the above warranty is limited to repair or replacement of the CURT Product (Product), at its option due to a manufacturing defect of the Product. CURT shall not be liable for the loss of or use of vehicles, loss of or damage to personal property, expenses such as telephone, lodging, gasoline, towing, tire damage or any other incidental or consequential damages incurred by the Purchaser, or any other person or entity.

CURT will examine the returned Product. If CURT, in its exclusive discretion, determines that the defect or damaged Product is covered under this limited warranty, CURT will repair the Product or replace it at that time.

Alterations to or misuse of the Product will void the warranty. For example, overloading or exceeding an automobile or trailer manufacturers' weight ratings, or maneuvering motor vehicles equipped with Products at improper rate of speed, shall void the warranty on any of the Products. Failure to properly maintain and regularly inspect the Product according to the specific instruction sheet accompanying each Product shall also void the warranty.

Some states do not allow the exclusion or limitation of incidental or consequential damages. If such exclusions or limitations are prohibited under the applicable law, the above limitation or exclusion may not apply.

This Warranty gives you specific legal rights and you may also have other rights, which vary from state to state.

The Purchaser, when returning a CURT Product, must observe the following steps:

1. The Purchaser must have proof of purchase of any damaged Product and supply the same to the headquarters of CURT. The Purchaser must obtain from CURT (toll free number is 877-CURTMFG (877.287.8634)) a Returned Goods Authorization (RGA) number in order to return any damaged Product to CURT for inspection and evaluation under this Limited Warranty.
2. The Purchaser must pay all handling charges and shipping costs to deliver Products to CURT and must send the damaged Product along with the RGA number and proof of purchase to CURT at 6208 Industrial Drive, Eau Claire, Wisconsin 54701.
3. Upon receipt of damaged Product, CURT will determine whether the damaged Product is covered under the Limited Warranty. If it is, CURT will repair or replace the Product. If the Product is replaced, the Product that is originally returned by the Purchaser shall become the exclusive property of CURT. If the returned Product is not covered under the Limited Warranty, CURT will notify the Purchaser before taking any further action with regard to repair or replacement, which would be at the Purchaser's cost.



INSTRUCTIONS D'INSTALLATION

AVERTISSEMENT : NE JAMAIS DÉPASSER LA CAPACITÉ DE REMORQUAGE RECOMMANDÉE PAR LE CONSTRUCTEUR DE VOTRE VÉHICULE

ATTELAGE DE ROUES E16 5E



TABLE DES MATIÈRES

N° de page	Description
1	Avertissements et précautions
2	Assemblage et installation
3 à 5	Couplage et verrouillage
5	Découplage et Réinitialisation
6 à 7	Retrait et Réinstallation
7 à 8	Exigences d'entretien
8	Garantie

PRÉCAUTIONS POUR ZONE DANGEREUSE

Bloquer tous les pneus de la remorque à l'avant et à l'arrière avec des cales appropriées. Ne pas remplacer les objets par des pierres, des blocs de bois, etc.

Les vérins de levage avant de la remorque doivent soutenir la remorque et reposer sur une surface ferme et plane.

Le véhicule tracteur doit être à l'arrêt, la boîte de vitesses automatique en position de stationnement, le frein d'urgence serré et le moteur arrêté. Si le véhicule est équipé d'une boîte de vitesses manuelle, mettez-le au point mort, serrez le frein d'urgence et coupez le moteur.

AVERTISSEMENTS

Lire et comprendre les instructions avant d'utiliser ce produit. Instruire et démontrer complètement à l'utilisateur final le fonctionnement de cet attelage de la 5e roue. Inclure l'importance de respecter tous les avertissements contenus dans le présent document, y compris les étiquettes d'avertissement sur la section médiane de l'attelage de la 5e roue. Fournir ce manuel dans son intégralité à l'utilisateur final. Le non-respect des avertissements ci-dessus peut entraîner des blessures graves, voire mortelles.

Pour éviter des blessures graves, ne pas exposer les mains, les parties du corps ou des vêtements entre le camion et la remorque ou entre les côtés de la caisse du camion et la remorque. Il convient de faire preuve d'une extrême prudence afin d'éviter toute blessure grave à soi-même, aux biens et à des tiers.

Ne jamais dépasser la capacité de remorquage nominale de votre véhicule. La remorque et son contenu combinés ne doivent pas dépasser les valeurs nominales du véhicule de remorquage, de l'attelage et/ou de la remorque. Le dépassement de la capacité nominale peut entraîner une séparation. Le dépassement de la capacité nominale peut endommager l'attelage de la 5e roue, le véhicule de traction, la remorque et provoquer des blessures graves, voire mortelles.

Lors de l'attelage et du dételage, ne vous placez jamais, vous ou d'autres personnes, sous la zone du pivot de la remorque (zone dangereuse). Si, pour une raison quelconque, vous devez placer une partie de votre corps sous la remorque, entre le camion et la remorque ou entre le pivot de la remorque et l'attelage de la 5e roue, vous devez suivre les étapes dans la section Précautions pour les zones de danger à gauche. Les remorques mal attelées peuvent se séparer et tomber sans préavis.

ASSEMBLAGE ET INSTALLATION

DÉBALLAGE DE LA 5E ROUE

Votre attelage de la 5e roue E16 a été partiellement assemblé, inspecté et testé pour s'assurer qu'il est adapté, fonctionnel et complet. L'attelage de 5e roue E16 est une unité d'ingénierie qui a été conçue et testée pour une capacité de 7 257,47 kg. GTW.

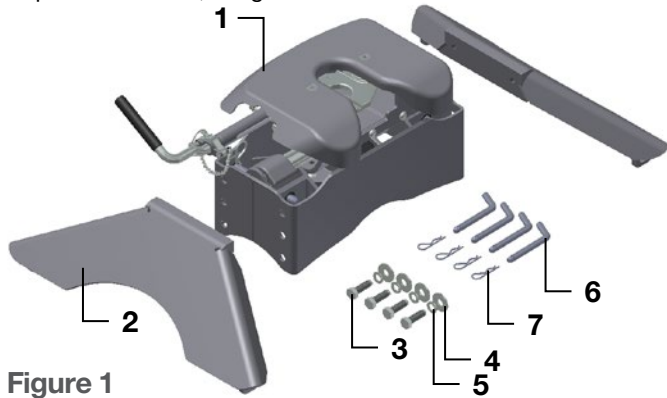


Figure 1

Veillez à ce que le pied portant les étiquettes d'avertissement et d'instruction soit placé sur le côté de l'appareil avec la barre d'activation.

LISTE DES PIÈCES

N° d'articles	Qté.	Description
1	1	Tête assemblée à mi-section de la 5e roue E16
2	2	Pieds
3	4	Boulons hexagonaux pilotes, M14, 2 x 45 mm
4	4	Rondelles plates, 14 mm
5	4	Rondelles de blocage, 14 mm
6	4	Pinces de montage du rail de base, 1/2 » de diamètre
7	4	Pince à épingles à cheveux pour les broches de montage du rail de base

CALCUL DE LA HAUTEUR DE L'ASSEMBLAGE

L'assemblage comprend la mesure de la hauteur requise pour la tête de la 5e roue E16 par rapport à la hauteur de la remorque au niveau du boîtier du pivot d'attelage et de la plaque de protection. Dans l'idéal, la remorque doit se trouver le plus près possible du niveau. La 5e roue E16 est réglable de 13" à 17", du plateau de la camionnette au sommet de la plaque de protection. Le réglage s'effectue en ajustant la partie centrale vers le haut ou vers le bas, par rapport aux pieds, par échelon de 2" (l'espace libre typique entre les rails de la caisse de la camionnette et la remorque doit être d'au moins 5 1/2").

Étape 1

la remorque étant posée sur une surface ferme et plane, placez des cales devant et derrière les pneus. (Ne pas remplacer les cales par des blocs de bois, des pierres, etc.) Déployer les crics de levage avant de la remorque et les ajuster si nécessaire pour mettre la remorque à niveau ou presque.

Étape 2

Mesurer la distance entre le sol et le dessous de la plaque de protection de la boîte à pivots de la remorque (ou de la plaque de graissage si elle est utilisée). Il s'agit de la partie en contact avec la plaque de protection de la 5e roue E16 une fois attelée.

Étape 3

Mesurer la distance entre le sol et la surface de la caisse de la camionnette.

Étape 4

Soustraire la mesure de l'étape 2 de celle de l'étape 1. Cette valeur est proche de la hauteur requise pour la 5e roue E16.

ASSEMBLAGE

Une fois que vous avez déterminé le réglage en hauteur requis pour votre 5e roue E16, assemblez les pieds à la section médiane en utilisant les trous appropriés. Parfois, la « boîte à pinces » du pivot d'attelage de la remorque doit être réglée pour que la hauteur de caisse soit correcte.

IMPORTANT Serrer les quatre boulons pilotes à 100 pieds-livres. Re-serrer après les 500 premiers miles et tous les 1 000 miles par la suite et avant chaque utilisation individuelle.

Étape 1

Dépendamment des trous sélectionnés, la fixation des pattes à la section médiane peut être plus facile avec la section médiane à l'envers, assise sur sa plaque de protection.

Étape 2

L'assemblage de la tête peut être retiré de la section médiane pour faciliter davantage l'installation des boulons pilotes.

Étape 3

Si la 5e roue E16 est montée sur des rails de montage de lit existants, et que des problèmes d'alignement surviennent, il peut être nécessaire de procéder comme suit :

Assembler sans serrer les pieds à la section médiane de la 5e roue E16. Placer l'appareil sur les rails de montage du lit existant, en alignant les pattes sur les fentes rectangulaires extérieures des rails de montage. Lorsque les pattes de la 5e roue s'insèrent dans les quatre fentes rectangulaires, les fixer à l'aide des quatre pinces et clips fournis. Poursuivre l'assemblage en serrant les boulons hexagonaux pilotes à 100 pieds-livres.

Si l'installation de la 5e roue E16 sur les rails de montage existants reste difficile, il peut être nécessaire de desserrer les boulons des rails de montage et de réaligner les rails de montage afin de faciliter l'installation. Il est recommandé de remplacer les anciennes rondelles de blocage par de nouvelles rondelles de blocage à ce moment-là. Serrer les boulons du rail de montage à 75 pieds-livres. Poursuivre l'installation de E16 en serrant les boulons pilotes à 100 pieds-livres.

Si vous utilisez de nouveaux rails de montage, suivez les instructions du rail de montage pour un placement, un alignement et un espacement corrects.

COUPLAGE ET VERROUILLAGE

VUE DE LA CABINE

Les positions de l'indicateur montrent une 5e roue attelée et verrouillée

La tige indicatrice devient visible à travers la fenêtre

Le verrou à bascule est complètement en place et la pince est installée

Un point vert est visible à cette position dans le tube de guidage

Figure 2

PRÉPARATION DE L'ATTELAGE DU VÉHICULE ET DE LA REMORQUE

Il est conseillé d'effectuer les connexions de la remorque à la 5e roue sur une surface ferme et plane.

Des cales multiples doivent être utilisées devant et derrière les pneus de la remorque. Ne pas remplacer les objets tels que, sans s'y limiter, des pierres, des blocs de bois, etc.

Abaissier ou retirer le hayon du camion selon les besoins.

Positionner le véhicule tracteur de manière à ce que la 5e roue soit centrée et alignée avec le pivot de la remorque ou de l'autocar. Ne pas engager le pivot dans la 5e roue à ce moment-là.

Mettre les transmissions automatiques en position de stationnement et activer le frein d'urgence. Mettre les transmissions manuelles au point mort et actionner le frein d'urgence.

Les vérins stabilisateurs arrière doivent être rétractés.

Régler les crics de levage avant de la remorque de manière à ce que la plaque de protection du pivot de la remorque se trouve à environ 1/2" sous la surface supérieure de la plaque de protection de la 5e roue. L'accrochage de cette manière permet d'assurer un engagement correct du pivot de la remorque dans la plupart des systèmes de 5e roue.

Ne jamais abaisser le pivot de la remorque dans la tête d'attelage de la 5e roue.

PRÉPARATION DE L'ATTELAGE DE LA 5E ROUE

Reportez-vous à la figure 2 ci-dessus et à la figure 3 ci-dessous pour cette étape.

Noter que le point vert est visible (côté cabine) à travers le tube de guidage de la barre de verrouillage et que la tige indicatrice est visible à travers la fenêtre.

Faire basculer la goupille de sécurité et la retirer.

Soulever le verrou, tourner dans le sens des aiguilles d'une montre et laisser pendre.

Tirer la barre de verrouillage à pleine extension (environ 3 1/2") jusqu'à ce que les mâchoires s'activent et s'ouvrent, puis relâcher la barre de verrouillage.

Vérifier visuellement que les mâchoires sont ouvertes et prêtes à recevoir le pivot de la remorque.

Noter que le point vert et la tige indicatrice ont bougé.

Cela signifie que les mâchoires de la 5e roue ne sont pas en position fermée et verrouillée. Le point jaune doit maintenant être visible. Le jaune signifie que la 5e roue est prête à être attelée.

Si la 5e roue est dans une configuration autre que celle décrite dans la première étape, suivez le guide de dépannage de la préparation à la page suivante.

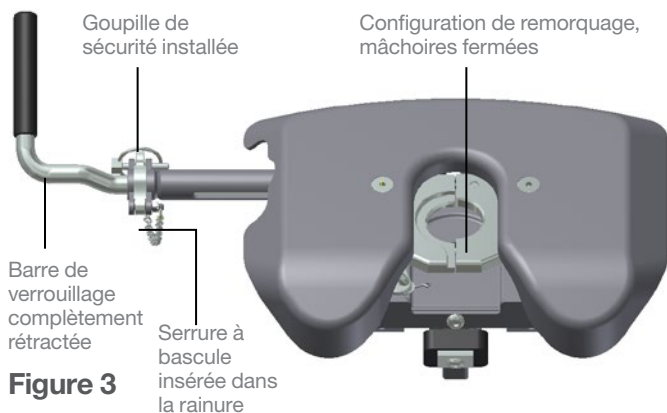


Figure 3

PRÉPARATION DÉPANNAGE

Point rouge : ne pas remorquer

AVERTISSEMENT : ne pas remorquer dans cette configuration. Les mâchoires se ferment, mais ne se bloquent pas. Suivez les étapes ci-dessous pour vous préparer à l'attelage. Les mâchoires sont ouvertes, mais la barre de verrouillage est en position sortie et est maintenue par le verrou. Le point rouge est visible (côté cabine) à travers le tube de guidage de la barre de verrouillage.

Le point rouge signifie que les mâchoires sont ouvertes et que la barre de verrouillage est en position étendue. Les mâchoires se ferment, mais ne se bloquent pas, dans cette configuration.

Tirez légèrement sur la barre de verrouillage et dégagez le verrou de sa rainure.

Libérer la barre de verrouillage. La barre de verrouillage se rétractera partiellement vers l'intérieur.

Vérifier visuellement que les mâchoires sont ouvertes et prêtes à recevoir le pivot de la remorque. Le point jaune doit maintenant être visible à partir de la cabine.

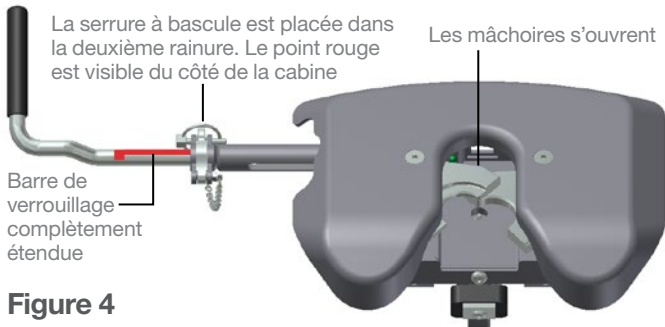


Figure 4

Mâchoires désynchronisées : ne pas coupler

AVERTISSEMENT : ne pas coupler. Les mâchoires sont semi-ouvertes et imbriquées/entrelacées l'une dans l'autre. La barre de verrouillage se situe quelque part entre la position pleine, rétractée, et la position pleine, étendue. Cette configuration signifie que la mâchoire mobile s'est décalée par rapport à la seconde mâchoire fixe.

Vérifier que la serrure à bascule est librement suspendue dans sa position tournée dans le sens des aiguilles d'une montre.

Tirer la barre de verrouillage jusqu'à sa position complète et étendue et la relâchez. Les mâchoires se remettent à l'heure d'elles-mêmes.

Vérifier visuellement que les mâchoires sont ouvertes et prêtes à recevoir le pivot de la remorque (point jaune).

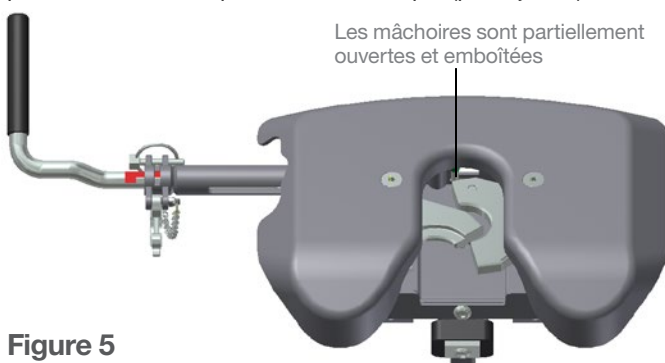


Figure 5

ATTELAGE

Si vous utilisez une plaque de graissage sur le pivot de la remorque, vous êtes prêt à atteler la remorque à la 5e roue. Il est possible d'utiliser jusqu'à deux plaques de graissage de 3/16" d'épaisseur. Si vous n'utilisez pas de plaque de graissage, appliquez une graisse haute pression pour roulements de roue sur la plaque de protection de la 5e roue.

Lors de l'attelage et du dételage, ne vous placez jamais, vous ou d'autres personnes, sous la zone du pivot de la remorque (zone dangereuse). Si, pour une raison quelconque, vous devez placer une partie de votre corps sous la remorque ou entre le camion et la remorque ou entre le pivot de la remorque et l'attelage de la 5e roue, vous devez suivre les étapes décrites dans Précautions relatives aux zones de danger à la page 1.

Reculez le véhicule tracteur tout en restant centré et aligné sur le pivot de la remorque. La plaque de protection du pivot de la remorque va compresser la suspension du véhicule tracteur et remonter sur la plaque de protection de la 5e roue. Se reporter à la section « Vue de la cabine » à la page 3 pour connaître l'emplacement de l'indicateur et observer les points suivants :

- La barre de verrouillage se rétracte complètement dans la tête de la 5e roue
- Le point vert devient visible (depuis la cabine)
- La tige indicatrice verte est visible dans la fenêtre (vue de la cabine)

Vérifier visuellement qu'il n'y a pas d'espace entre la plaque de protection du pivot de la remorque et la plaque de protection de la 5e roue ou entre la plaque de graissage et la plaque de protection de la 5e roue. Si une fente est présente, le pivot n'est pas engagé dans les mâchoires. Déterminer si le pivot repose sur le haut des mâchoires et prendre les mesures correctives qui s'imposent.

Vérifier que l'unité de la 5e roue n'est pas endommagée. La 5e roue ne doit en aucun cas être utilisée si les dommages sont dus à un mauvais attelage.

S'il n'y a pas de dommages, revoir les instructions relatives à l'attelage et répéter la procédure.

TEST DE TRACTION

Après l'attelage et avant d'enlever les cales de roues de la remorque et ou de lever les crics avant de la remorque, vous devez faire ce qui suit :

Engagez la marche avant du véhicule tracteur et tirez légèrement sur la remorque pour vous assurer que l'attelage s'est fait à 100 %. Si une résistance est ressentie, relâchez la pression vers l'avant, mettez le véhicule en position de stationnement (s'il est équipé d'une boîte de vitesses automatique) et actionner le frein d'urgence. Mettre au point mort si le véhicule est équipé d'une transmission standard et actionner le frein d'urgence.

Si aucune résistance n'est ressentie, il se peut que la remorque ne soit pas correctement attelée. Ne pas continuer à appliquer une pression vers l'avant, s'arrêter immédiatement et reculer le véhicule tracteur dans sa position initiale. Ne pas laisser le camion et la remorque se séparer. La séparation peut endommager le véhicule tracteur, l'attelage de la 5e roue et/ou la remorque. Le non-respect des avertissements ci-dessus peut entraîner des blessures graves, voire mortelles.

Revoir les instructions d'accouplement, appliquer des mesures correctives et répéter les étapes d'accouplement.

PRÉPARATION DE L'ATTELAGE

Tourner le verrou dans le sens inverse des aiguilles d'une montre et le placer dans la rainure.

Insérer la goupille de sécurité et faire basculer l'anse pour la fixer.

Fixer les harnais électriques.

Attacher la longe et insérer le piston de rupture du frein électrique. Si des freins hydrauliques à inertie sont présents, attacher la longe de l'assemblage du frein à inertie comme requis.

Rétracter complètement les vérins de levage avant de la remorque.

Fermer le hayon du camion ou réinstaller le hayon selon les besoins.

Retirer les cales.

Vérifier le bon fonctionnement des feux de circulation, des signaux directionnels et des feux de freinage.

Avancer de quelques mètres et freiner pour vérifier que les freins de la remorque s'activent. Ajuster le contrôleur de frein électrique si nécessaire.

DÉCOUPLAGE ET RÉINITIALISATION

Lors du stationnement, il peut être nécessaire de décharger les forces exercées sur le pivot d'attelage en reculant légèrement contre le pivot d'attelage. Cette manœuvre permet de mettre le pivot d'attelage et la 5e roue en position neutre. Une fois stationné sur une surface ferme et plane, mettre les véhicules à transmission automatique en position de stationnement et actionner le frein d'urgence, mettre les véhicules à transmission standard au point mort et actionner le frein d'urgence.

Des cales multiples doivent être utilisées devant et derrière les pneus de la remorque. Ne pas remplacer les objets tels que , sans s'y limiter, des pierres, des blocs de bois, etc.

Débrancher si nécessaire tous les harnais, longes, dispositifs de sécurité, etc.

Ne pas déployer les vérins stabilisateurs arrière de la remorque pour l'instant.

Abaisser ou retirer le hayon du camion selon les besoins.

Commencer à déployer les crics de levage avant de la remorque. Déployez les crics de levage juste assez pour enlever le poids de la remorque de la plaque de protection de la 5e roue. Il n'est pas nécessaire de créer un espace entre la plaque de protection de la remorque et la plaque de protection de la 5e roue, et cela n'est pas recommandé. S'il y a un écart, il doit être minime et ne pas dépasser 1/16". Un écart excessif lors de l'attelage peut endommager les composants internes de l'attelage de la 5e roue ainsi que les composants de votre remorque.

Faire basculer la goupille de sécurité et la retirer.

Soulever le verrou à bascule et tirer la barre de verrouillage vers l'extérieur d'environ 1/2". Tout en maintenant la barre de verrouillage dans cette position, faire retomber le verrou à bascule sur la barre de verrouillage. Tirer la barre de verrouillage jusqu'à sa position complète et étendue. Le verrou s'abaisse et s'engage dans la deuxième rainure. Libérer la barre de verrouillage. La barre de verrouillage doit

rester en position de pleine extension. **Remarque :** le point rouge est visible(côté cabine) à travers le tube de guidage de la barre de verrouillage. Cela signifie que les mâchoires ne sont pas verrouillées et qu'elles sont prêtes à être découplées.

Réinsérer la goupille de sécurité et faire basculer l'anse pour la fixer.

Retirer lentement le véhicule du dessous de la plaque de protection de la remorque. Vérifier que la remorque se désaccouple. En cas de résistance, déterminer l'action corrective et répéter les étapes de dételage.

Une fois dételée de la remorque, vous pouvez choisir de réinitialiser la 5e roue pour un attelage ultérieur à ce moment-là. Pour réinitialiser l'accouplement, il suffit de retirer la goupille de sécurité et de soulever le verrou de sa rainure. Cela permettra à la barre de verrouillage de se rétracter partiellement dans sa position d'attelage.

IMPORTANT : si l'on ne remet pas la barre de verrouillage en place de cette manière avant le prochain attelage, les mâchoires ne pourront pas se verrouiller autour du pivot d'attelage de la remorque. Voir figure 6 ci-dessous.

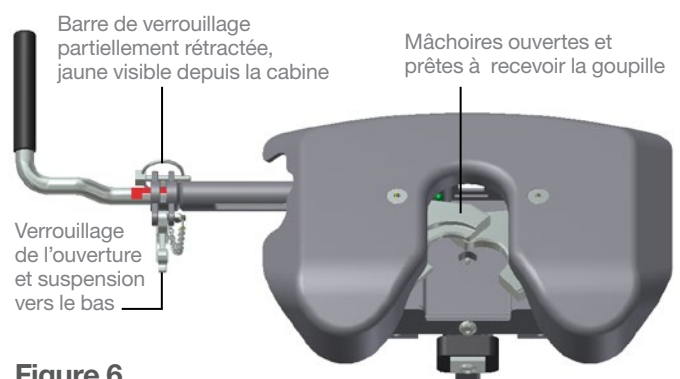


Figure 6

RETRAIT ET RÉINSTALLATION

Pour votre commodité, l'attelage de la 5e roue E16 peut être démonté pour faciliter le retrait. Cette section aborde les trois différentes façons de retirer la 5e roue E16.

RETRAIT : OPTION 1

Nous ne recommandons pas de séparer l'ensemble de l'attelage de la 5e roue des rails de base. Suivre les quatre étapes ci-dessous et se reporter à la figure 7 pour obtenir de l'aide.

1. Retirer les quatre clips et les goupilles du rail de montage.
2. Retirer la 5e roue des rails de montage.

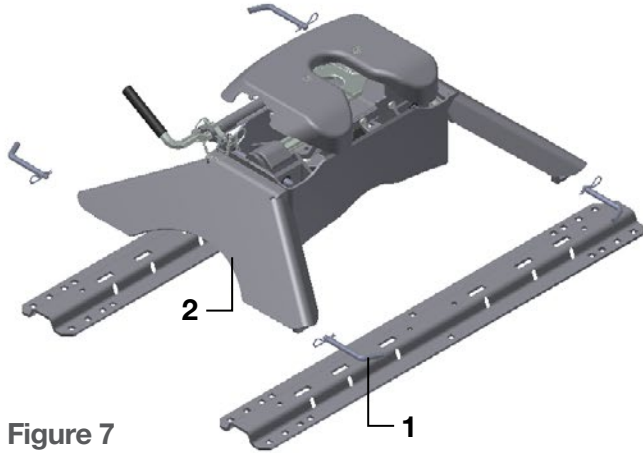


Figure 7

RETRAIT : OPTION 2

Nous recommandons de séparer la tête de la section médiane et de retirer la section médiane et les côtés en une seule unité.

REMARQUE : il est utile de réinstaller les capuchons, les goupilles et les clips. Suivre les quatre étapes ci-dessous et se reporter à la figure 8 pour obtenir de l'aide.

1. Enlever les clips, les goupilles et les capuchons.
2. Soulever et retirer la tête avec l'arbre de roulement.
3. Retirer les clips et les goupilles du rail de montage.
4. Soulever et retirer les goupilles de rail, la section médiane et les côtés en une seule unité.

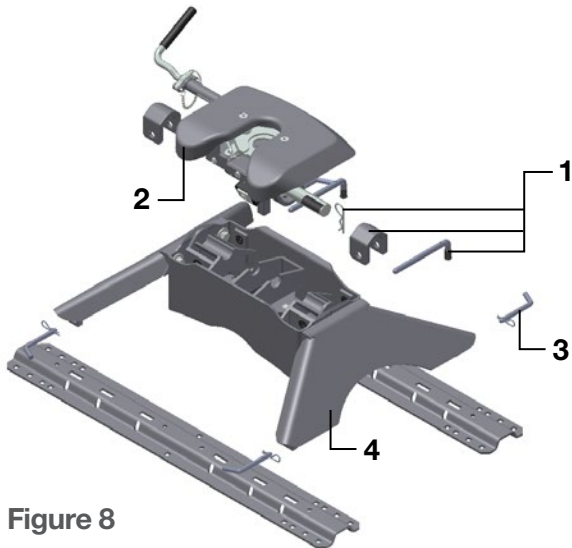


Figure 8

RETRAIT : OPTION 3

Séparer la tête et les pieds de la partie centrale. Suivre les quatre étapes ci-dessous et se reporter à la figure 9 pour obtenir de l'aide.

1. Enlever les clips, les goupilles et les capuchons.
2. Soulever et retirer la tête avec l'arbre de roulement.
3. Retirer les quatre boulons hexagonaux pilotes, les rondelles de blocage et les rondelles plates. Séparer les côtés de la partie centrale.
4. Retirer les quatre clips et les goupilles du rail de montage. Séparer les côtés des rails de montage.

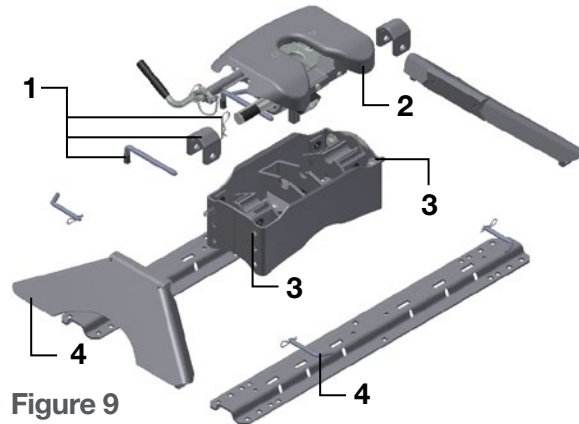


Figure 9

REINSTALLATION

Réinstaller la 5e roue E16 dans l'ordre inverse de son retrait. Si la méthode de suppression est l'option 2, veuillez suivre les étapes ci-dessous :

Placez la section médiane, toujours solidement boulonnée aux pieds, dans les rails de montage. Insérer les quatre goupilles et clips du rail de montage.

Serrer les boulons hexagonaux pilotes à 100 pieds-livres.

IMPORTANT : lors de l'installation de la tête de la 5e roue dans la section médiane, l'extrémité longue de l'arbre de roulement est insérée dans l'ensemble de roulement inférieur. Le support de palier usiné doit être contre le palier inférieur. Le support de palier amovible doit être contre l'autre côté de l'ensemble de palier inférieur. La butée du joint torique est placée en dernier lieu dans sa rainure.

Appliquer un léger film de lubrifiant sur le pilote inférieur. Guider le pilote inférieur dans la section centrale tout en maintenant l'arbre de roulement et ses dispositifs de retenue contre l'ensemble de roulement inférieur. Continuer à guider le pilote inférieur à travers le coussinet carré inférieur jusqu'à ce que l'arbre de roulement soit complètement logé dans ses selles. Placer les capuchons d'arbre sur l'arbre de roulement. Installer les deux longues goupilles et les clips. Voir les figures 10 à 12 à la page suivante.

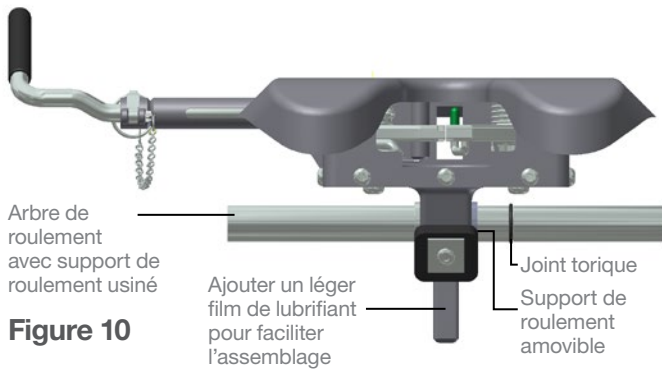


Figure 10

S'assurer que le support de roulement usiné et le support de roulement amovible sont contre le palier inférieur. Les deux se placent à l'intérieur des berceaux de l'arbre de roulement de la section médiane lors de l'assemblage.

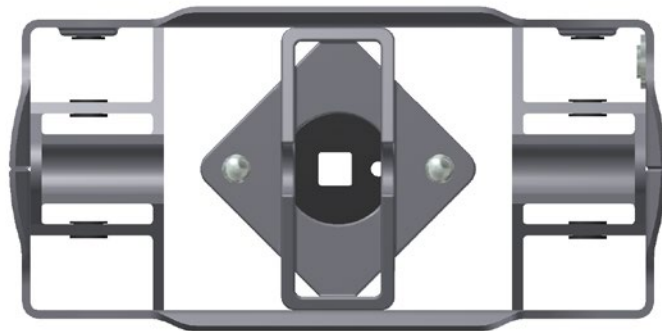


Figure 11

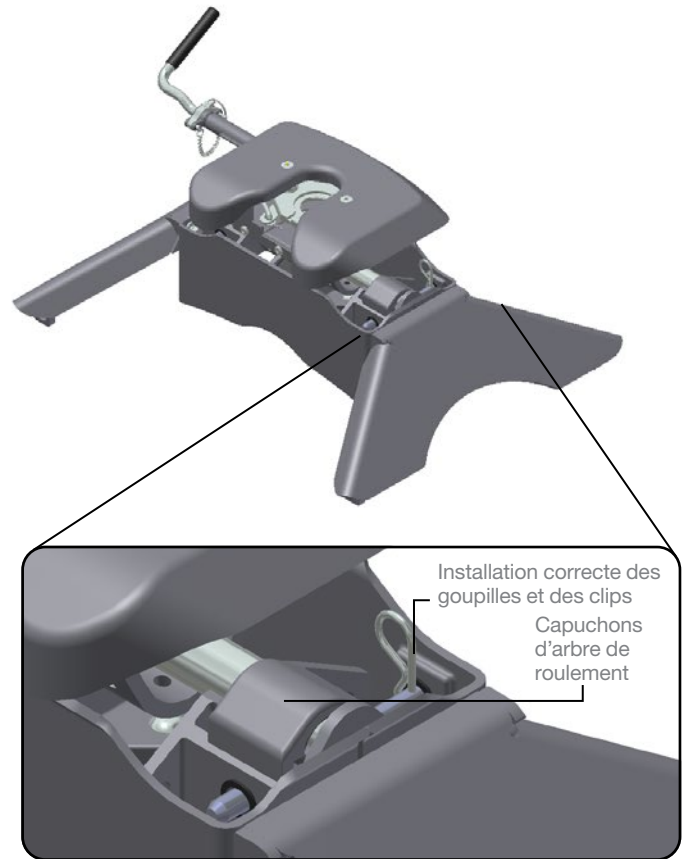


Figure 12

EXIGENCES D'ENTRETIEN

CALENDRIER D'ENTRETIEN

IMPORTANT : Serrer les quatre boulons pilotes à 100 pieds-livres. Re-serrer après les 500 premiers miles et tous les 1 000 miles par la suite et avant chaque utilisation individuelle.

Lubrifier avant chaque utilisation individuelle et tous les 1 000 miles par la suite. Il est recommandé d'utiliser de la graisse noire au graphite pour la mâchoire, les axes et la mâchoire de l'assemblage du roulement inférieur. Il

RACCORDS DE GRAISSAGE POUR GOUPILLES DE MÂCHOIRES

Chaque axe de mâchoire est alimenté en graisse par l'intermédiaire d'un raccord de graissage situé dans chaque mâchoire. Ces graisseurs sont visibles de chaque côté de la 5e roue E16.

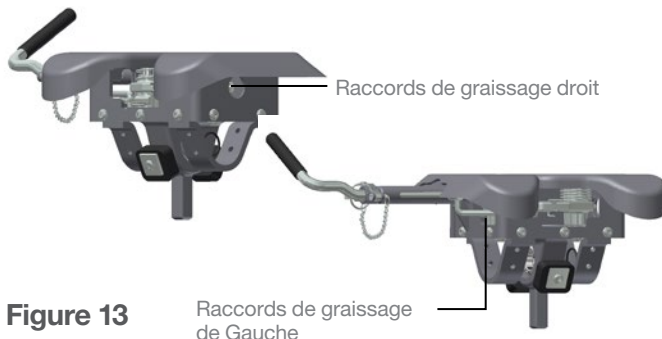


Figure 13

est préférable d'utiliser de la graisse haute pression pour le roulement de la roue pour la plaque de protection.

REMARQUE : en cas de froid intense, une graisse plus légère, telle que le lithium blanc, peut être utilisée pour les axes de la mâchoire et la mâchoire de l'ensemble de palier inférieur. Cela permettra de s'assurer que tous les mécanismes fonctionnent comme prévu.

RACCORDS DE GRAISSAGE POUR GOUPILLES DE MÂCHOIRES INFÉRIEURES

Le palier inférieur est alimenté en graisse par l'intermédiaire du raccord de graissage centré dans la plaque de base en fonte. Ce raccord de graissage est visible en regardant vers le bas à travers les mâchoires en position verrouillée.

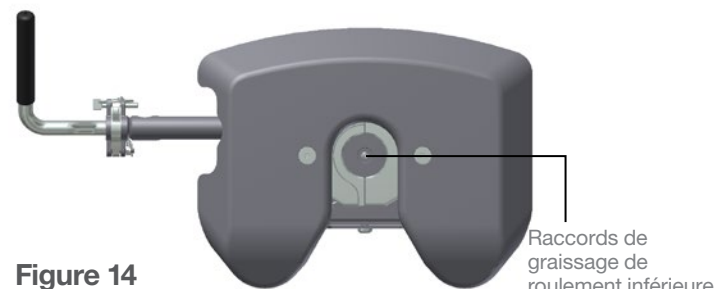
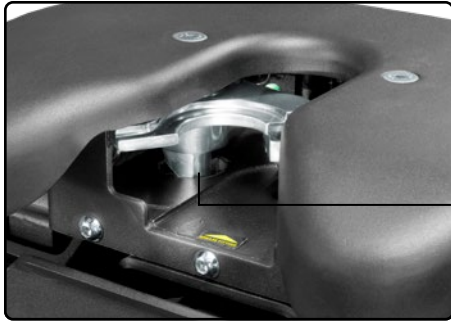


Figure 14

GRAISSAGE DES CAMES EN SPIRALE

La came en spirale logée dans la plaque de base en fonte nécessite l'application de graisse dans sa poche. Pour y accéder, les mâchoires doivent être ouvertes. Placer la barre de verrouillage dans sa position complètement déployée et la maintenir en plaçant le verrou de basculement dans sa position de dételage. Insérer la goupille de sécurité. À l'aide d'une sonde appropriée, appliquer de la graisse dans la poche située sous la came en spirale. Une fois l'opération terminée, retirer la goupille de sécurité, faire pivoter le verrou de son siège et laisser la barre de verrouillage se rétracter vers l'intérieur en position d'attelage.



Lubrifier le logement de la came en spirale sous la mâchoire mobile

Figure 15

GRAISSAGE DES PLAQUES DE PROTECTION

Le dernier point de lubrification est la plaque de protection E16. Appliquer généreusement de la graisse sur la surface de la plaque de protection si vous n'utilisez pas de plaque de lubrification. Il est préférable d'utiliser une graisse haute pression pour le roulement de roue. Appliquer selon les besoins entre l'attelage et le dételage de la remorque à la 5e roue E16.

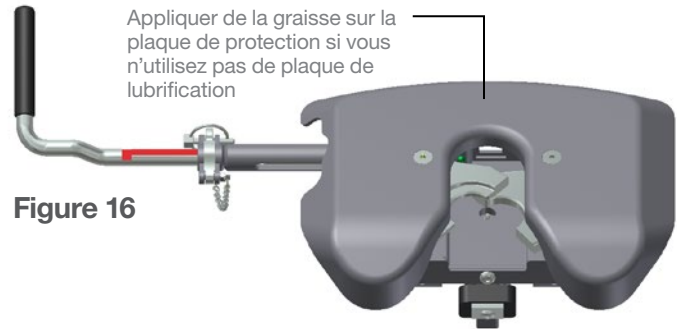


Figure 16

GARANTIE DE CURT

CINQ ANNÉES LIMITÉES

CURT Manufacturing, LLC (CURT) garantit à l'acheteur initial (l'Acheteur) que ses produits sont exempts de tout défaut dans des conditions normales d'utilisation et d'entretien, à l'exception de l'usure normale, pendant la période de garantie indiquée ci-dessous, à compter de la date de l'achat au détail initial, mais sous réserve des limitations énoncées ci-dessous.

LIMITATION DE LA GARANTIE

L'obligation de CURT au titre de la garantie ci-dessus est limitée à la réparation ou au remplacement du produit CURT (Produit), à son choix, en raison d'un défaut de fabrication du produit. CURT n'est pas responsable de la perte ou de l'utilisation des véhicules, de la perte ou de la détérioration des biens personnels, des frais de téléphone, d'hébergement, d'essence, de remorquage, de détérioration des pneus ou de tout autre dommage accessoire ou indirect subi par l'Acheteur ou toute autre personne ou entité.

CURT examinera le produit retourné. Si CURT, à sa seule discrétion, détermine que le défaut ou le produit endommagé est couvert par la présente garantie limitée, CURT réparera le produit ou le remplacera à ce moment-là. Toute modification ou utilisation abusive du produit annule la garantie. Par exemple, le fait de surcharger ou de dépasser le poids nominal d'un véhicule ou d'une remorque, ou de manœuvrer des véhicules motorisés équipés de produits à une vitesse inappropriée, annulera la garantie sur tous les produits. Le fait de ne pas entretenir correctement et d'inspecter régulièrement le produit conformément à la fiche d'instructions spécifique accompagnant chaque produit

annulera également la garantie.

Certains États n'autorisent pas l'exclusion ou la limitation des dommages accessoires ou indirects. Si de telles exclusions ou limitations sont interdites par la loi applicable, la limitation ou l'exclusion susmentionnée peut ne pas s'appliquer.

La présente garantie vous confère des droits légaux spécifiques et vous pouvez également bénéficier d'autres droits, qui varient d'un État à l'autre.

L'Acheteur, lorsqu'il renvoie un produit CURT, doit respecter les étapes suivantes :

1. L'Acheteur doit disposer d'une preuve d'achat du produit endommagé et la fournir au siège de CURT. L'Acheteur doit obtenir de CURT (numéro gratuit 877-CURTMFG (877.287.8634)) un numéro d'autorisation de retour de marchandises (RGA) afin de renvoyer tout produit endommagé à CURT pour inspection et évaluation au titre de la présente garantie limitée.
2. L'Acheteur doit payer tous les frais de manutention et d'expédition pour livrer les produits à CURT et doit envoyer le produit endommagé avec le numéro RGA et la preuve d'achat à CURT, 6208 Industrial Drive, Eau Claire, Wisconsin 54701.
3. Dès réception du produit endommagé, CURT déterminera si le produit endommagé est couvert par la garantie limitée. Si c'est le cas, CURT réparera ou remplacera le produit. En cas de remplacement du produit, le produit initialement retourné par l'Acheteur devient la propriété exclusive de CURT. Si le produit retourné n'est pas couvert par la garantie limitée, CURT en informera l'Acheteur avant de prendre toute autre mesure de réparation ou de remplacement, qui sera à la charge de l'Acheteur.