

INSTALLATION INSTRUCTIONS

WARNING: NEVER EXCEED YOUR VEHICLE MANUFACTURER'S RECOMMENDED TOWING CAPACITY

R16 5TH WHEEL ROLLER



WARNINGS

Read and understand instructions before using this product. Fully instruct and demonstrate the operation of this 5th wheel hitch to the end user. Include the importance of observing all warnings contained herein, including warning labels on 5th wheel hitch mid section. Provide this manual in its entirety to the end-user.

To avoid serious injury, do not expose hands, body parts or clothing between the truck and trailer or the truck's bed sides and trailer. Extreme care should be observed to avoid serious injury to self, property and observers.

Never position yourself or others under the trailer's kingpin area during coupling and uncoupling. Serious injury or death may result if the warning above is not observed.

This product complies with V-5 regulations and safety requirements for connecting devices and towing systems of the State of Wisconsin.

UNPACKING THE ROLLER

Inspect all parts for damage and verify that all items listed are present. **NOTE:** The mounting rail kit (#15) is sold separately.

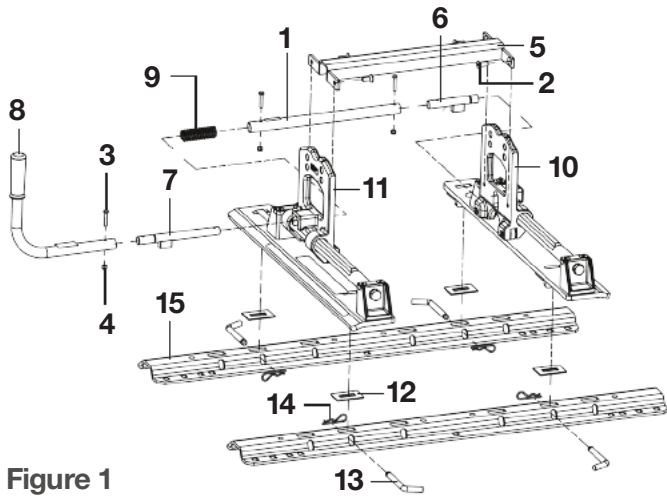


Figure 1

PARTS LIST

Item#	Qty	Description
1	1	Outer tube
2	4	Flat head socket head cap screw
3	3	Hex head cap screw
4	3	Nylock nut
5	1	Cross member weldment
6	1	Lock rod weldment, passenger side (PS)
7	1	Lock rod weldment, driver side (DS)
8	1	Handle
9	1	Compression spring
10	1	Roller assembly, passenger side (PS)
11	1	Roller assembly, driver side (DS)
12	4	Spacer, neoprene
13	4	Rail pin
14	4	Rail clip
15	1	Set of mounting rails, ordered separately

ASSEMBLY INSTRUCTIONS

The R16 roller is to be used with 5th wheel trailers weighing up to 16,000 lbs. Never use on trailers exceeding 16,000 lbs.

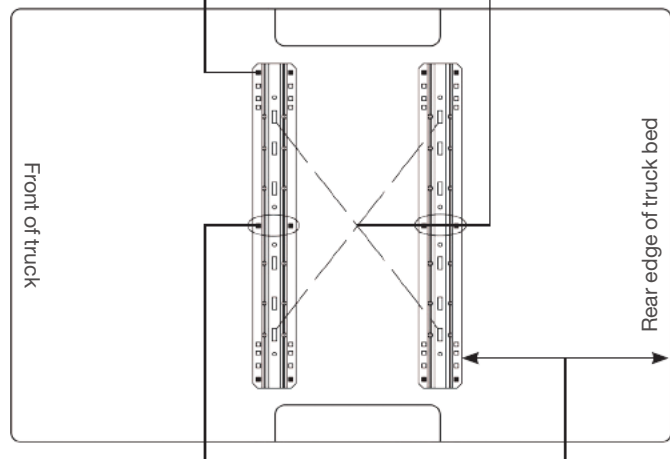
CAUTION: The R16 roller will reposition your 5th wheel hitch 12" rearward. However, this will not guarantee complete truck cab/trailer clearance when towing.

Step 1

Before beginning assembly of the R16 roller, check the base rails in your truck to be sure they are properly installed and are parallel with each other. The diagonal dimensions should be the same, see Figure 2. With the base rails correctly positioned, the assembled R16 roller will drop into the slots on the top surface of the base rails.

Ensure rail kits are installed according to rail kit manufacturer's recommended specifications

Measure diagonal from same reference point. Measurement should be the same



Each mounting rail must have a bolt in either of the marked holes. Check for obstructions before drilling

Rear edge of truck bed to rear edge of mounting rail

Figure 2

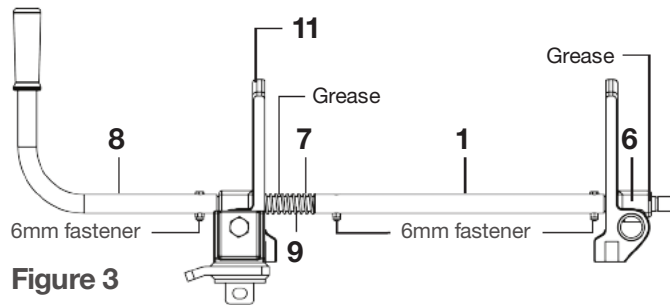


Figure 3

Step 2

Grease the ends of the lock rod weldments (#6) and (#7) as shown in Figure 3.

Step 3

Slide lock rod weldment (#7) into the driver side (DS) roller assembly (#11) and slide lock rod weldment (#6) into the passenger (PS) roller assembly (#10).

Step 4

Slide the outer tube (#1) over lock rod weldment (#6) until holes line up. Secure with 6mm fastener. Tighten until nylock nuts are fully engaged.

Step 5

Slide compression spring (#9) over lock rod weldment (#7).

Step 6

Slide lock rod weldment (#7) with compression spring (#9) into outer tube (#1) until the holes line up. Secure with 6mm fastener. Tighten until nylock nuts are fully engaged.

Step 7

Slide handle (#8) over lock rod weldment (#7) until the holes line up. Secure with 6mm fastener. Tighten until nylock nuts are fully engaged.

Step 8

Slide cross member weldment (#5) between the DS roller assembly (#11), PS roller assembly (#10) and over the lock rod assembly as shown in Figure 1. Secure with 10mm flat head bolts and torque to 35 foot lbs.

Step 9

Place the assembled R16 roller into the base rails (#15) and pin in place with the supplied hitch pins & clips (#13, #14).

CAUTION: Be sure that all base rail hitch pins are positioned as shown in Figure 4 below and that all clips are secured before towing.

Base rail hitch pin illustration

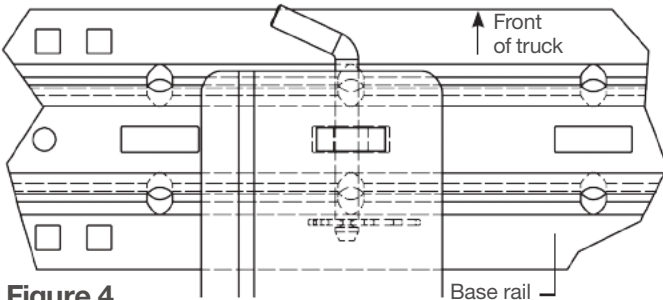


Figure 4

Step 10

Pull handle out and rotate as shown on the operation decal on the roller. Roller should move smoothly fore and aft on the rails. **NOTE:** When the R16 roller is locked in its fore and aft positions the lock bar handle should be vertical. The red indicator will not be showing and the green indicator will be showing. See Figure 5 below.

Step 11

If the unit binds, make sure all bolts are torqued to proper specifications. Make sure base rails are square and parallel.

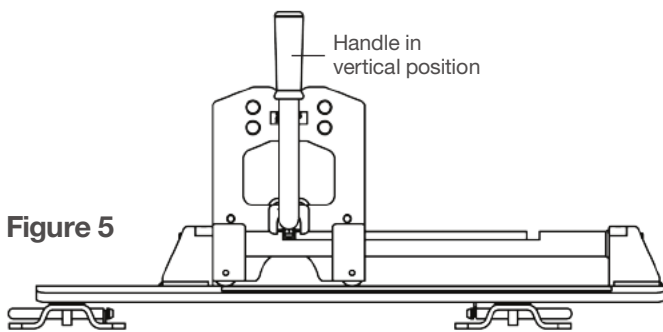
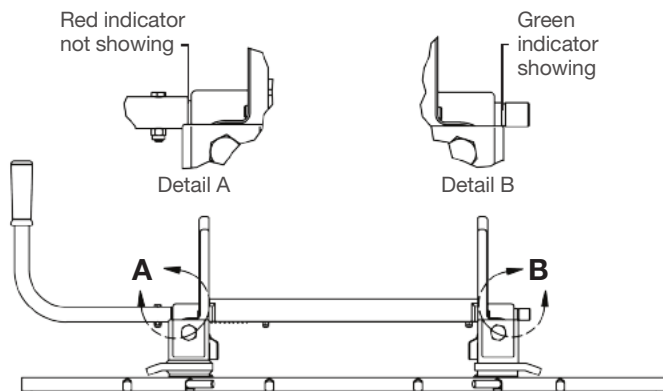


Figure 5



5TH WHEEL HEAD INSTALLATION

To install the 16515 5th wheel head (Figure 6), slide the 16515 cross member weldment into the R16 roller as shown. Select desired height using the adjustment holes in the cross member weldment. From the inside, insert four supplied 1/2" x 1 3/4" bolts into the four holes of the cross member weldment into the R16 roller. Place 1/2" nylock nuts on each bolt. Torque to 75 ft/lbs. Place the 16515 5th wheel head into the cross member weldment saddle, insert supplied 3/8" hitch head pins and secure with hitch pin clips. The R16 is now ready for operation. See 'Operation Instructions'.

To install the 16520 5th wheel head (Figure 7), select desired height using the adjustment holes in the cross member weldment. Place the four supplied 14mm bolts through the holes and secure them with the nylock nuts. Torque all four bolts to 100 ft-lbs. The Q16 is now ready for operation. See 'Operation Instructions'.

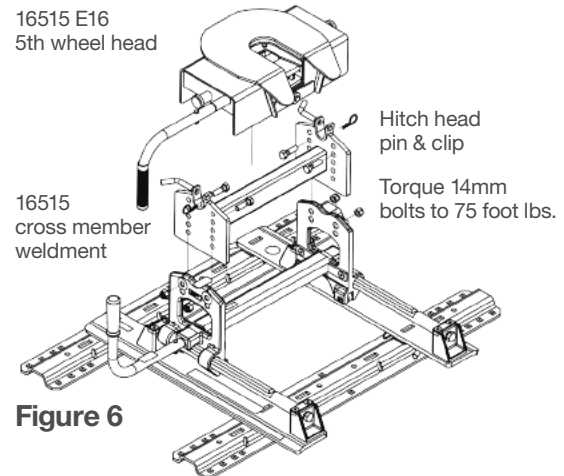


Figure 6

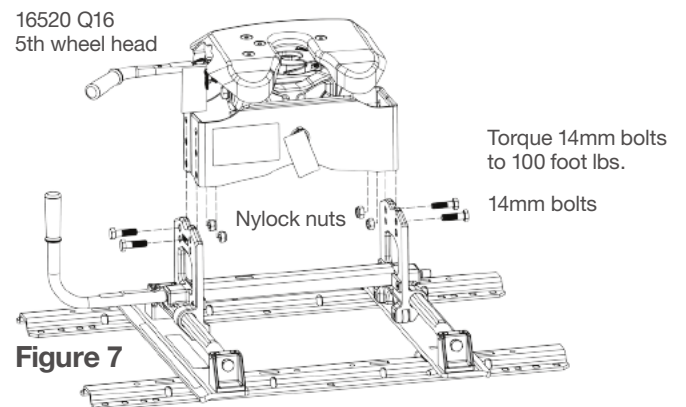


Figure 7

REMOVAL OF THE 5TH WHEEL HEAD & 16560 ROLLER

For removal of the 5th wheel head from the R16 roller, reverse the steps found under the '5th Wheel Head Installation' for your model.

For removal of the 16560 R16 roller, remove pins & clips from Step 9 found under the 'Assembly Instructions' on the previous page. See Figure 4.

OPERATING INSTRUCTIONS

To maneuver

Align trailer and tow vehicle in a straight line, on a level surface.

Pull handle out and rotate counter-clockwise to place lock bar in the ready-to-lock position.

Set trailer brakes and slowly drive the tow vehicle forward until R16 roller stops. Locking bars will automatically engage in the rear locking groove. **NOTE:** Visually check that lock bar handle is vertical, both lock bars are fully engaged and that the green indicator is visible.

Maneuver position

Roller and hitch will move 12" rearward

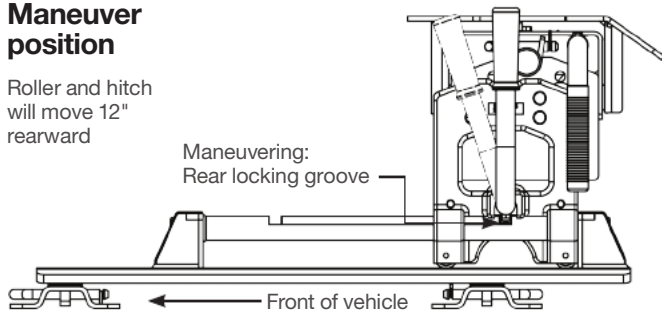


Figure 8

To tow

Align trailer and tow vehicle in a straight line, on a level surface.

Pull handle out and rotate clockwise to place lock bar in the ready-to-lock position.

Set trailer brakes and slowly back up the tow vehicle until R16 roller stops. Lock bars will automatically engage in the forward locking groove. **NOTE:** Visually check that lock bar handle is vertical, both lock bars are fully engaged and that the green indicator is visible. Set trailer brakes and move the tow vehicle forward slightly to be sure both lock bars are fully engaged. You are now ready to tow.

Towing position

Roller and hitch will move 12" forward

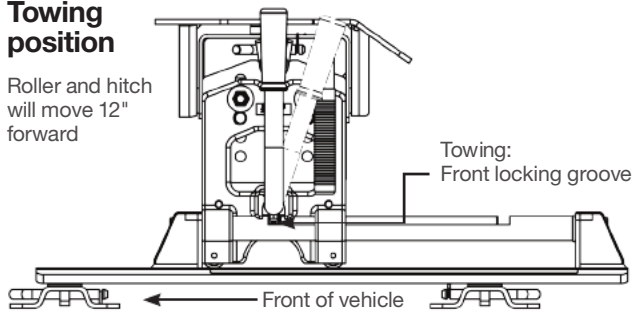


Figure 9

WARRANTY

Five year limited

CURT Manufacturing, LLC (CURT) warrants to the original purchaser (Purchaser), its products to be free from defect under normal use and service, ordinary wear and tear excepted, for the warranty period stated below, from the date of the original retail purchase, but subject to the limitations as set forth below.

Limitation on warranty

CURT's obligation under the above warranty is limited to repair or replacement of the CURT Product (Product), at its option due to a manufacturing defect of the Product. CURT shall not be liable for the loss of or use of vehicles, loss of or damage to personal property, expenses such as telephone, lodging, gasoline, towing, tire damage or any other incidental or consequential damages incurred by the Purchaser, or any other person or entity.

CURT will examine the returned Product. If CURT, in its exclusive discretion, determines that the defect or damaged Product is covered under this limited warranty, CURT will repair the Product or replace it at that time.

Alterations to or misuse of the Product will void the warranty. For example, overloading or exceeding an automobile or trailer manufacturers' weight ratings, or maneuvering motor vehicles equipped with Products at improper rate of speed, shall void the warranty on any of the Products. Failure to properly maintain and regularly inspect the Product according to the specific instruction sheet accompanying each Product shall also void the warranty.

Some states do not allow the exclusion or limitation of incidental or consequential damages. If such exclusions or limitations are prohibited under the applicable law, the above limitation or exclusion may not apply.

This Warranty gives you specific legal rights and you may also have other rights, which vary from state to state.

The Purchaser, when returning a CURT Product, must observe the following steps:

1. The Purchaser must have proof of purchase of any damaged Product and supply the same to the headquarters of CURT. The Purchaser must obtain from CURT (toll free number is 877-CURTMFG (877.287.8634)) a Returned Goods Authorization (RGA) number in order to return any damaged Product to CURT for inspection and evaluation under this Limited Warranty.
2. The Purchaser must pay all handling charges and shipping costs to deliver Products to CURT and must send the damaged Product along with the RGA number and proof of purchase to CURT at 6208 Industrial Drive, Eau Claire, Wisconsin 54701.
3. Upon receipt of damaged Product, CURT will determine whether the damaged Product is covered under the Limited Warranty. If it is, CURT will repair or replace the Product. If the Product is replaced, the Product that is originally returned by the Purchaser shall become the exclusive property of CURT. If the returned Product is not covered under the Limited Warranty, CURT will notify the Purchaser before taking any further action with regard to repair or replacement, which would be at the Purchaser's cost.