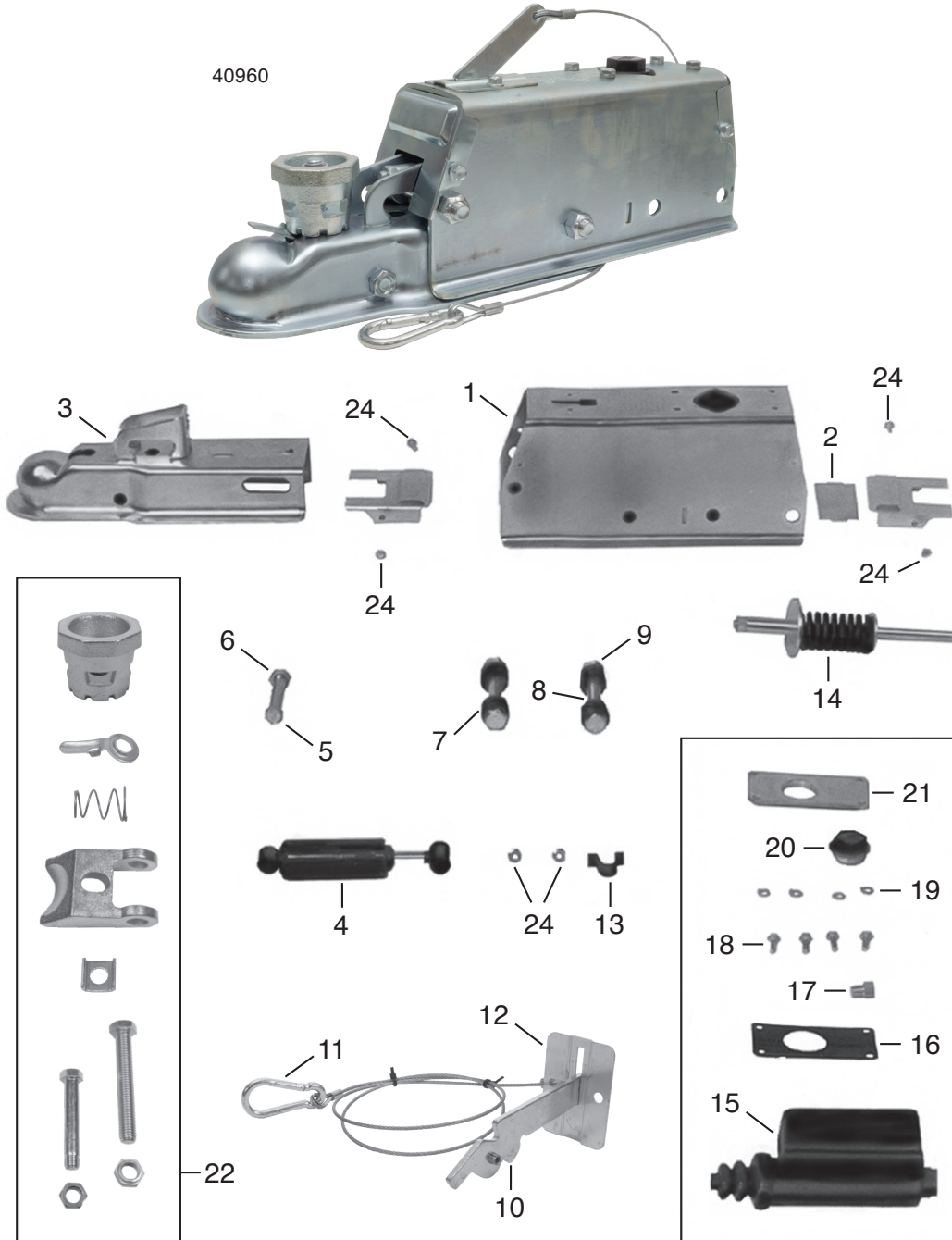




# SURGE ACTUATORS Model 60 - 7,000 lb

HYDRAULIC SURGE BRAKE ACTUATION

40960



Ref. No.	Part No.	Description	Qty. Req.
1	23573	Outer case	1
2	23377	Strut	1
3	23378	Coupler case	1
4	23362	Damper shock	1
5	23390	7/16"-20 x 2-5/8" Hex head bolt	1
6	23391	7/16"-20 Lock nut - thin	1
7	23278	Roller	4
8	23413	1/2"-20 x 4" Hex head bolt	2
9	LN12G8ZF	1/2"-20 Lock nut	2
10	43595	Break-away lever assy. (11, 10, 12 cable)	1
11	SN516	Actuator carabiner ONLY	1
12	40051	Cover ONLY breakaway	1
13	40052	Break-away spring	1

Ref. No.	Part No.	Description	Qty. Req.
14	23463	Push rod	1
15	23361	Master cylinder - drum - 1.25" bore	1
15	47142	Master cylinder - disc - 1.25" bore	1
16	23414	Gasket	1
17	12098	1/8" Pipe-3/16" inverted flare w/1/64" orifice	1
18	B14075G5ZC	1/4"-20 x 3/4" Hex head bolt	4
19	LW14Z	Lockwasher 1/4"	4
20	23388-01	Master cylinder cap - 1-1/4" - 18	1
21	23566	Cover - cylinder	1
22	74-325	Cast jaw coupler repair kit	1
23	24525COVER	Cover - front	1
24	10941	1/4"-14 x .375 Self tapping	6